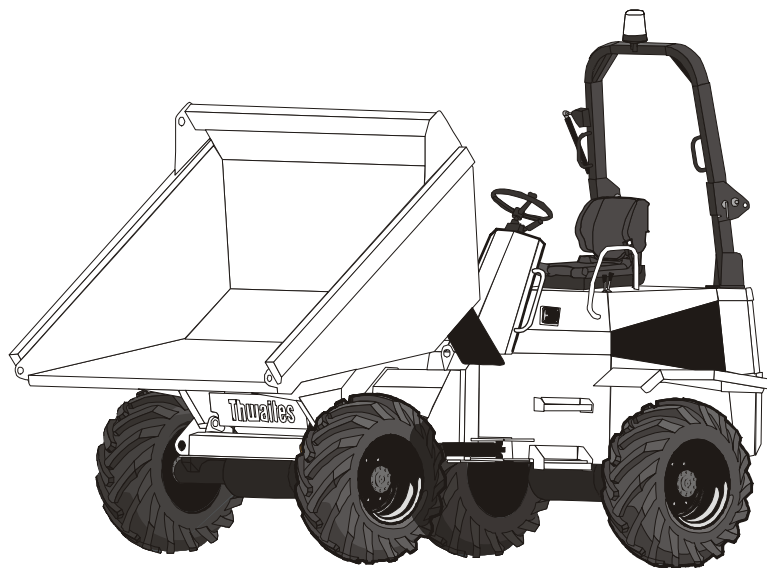
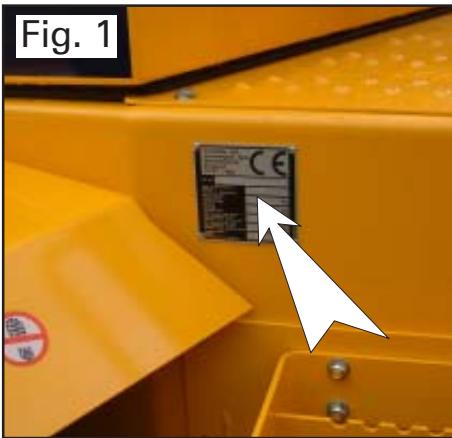
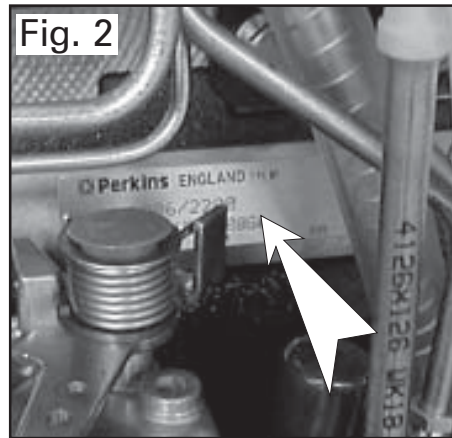
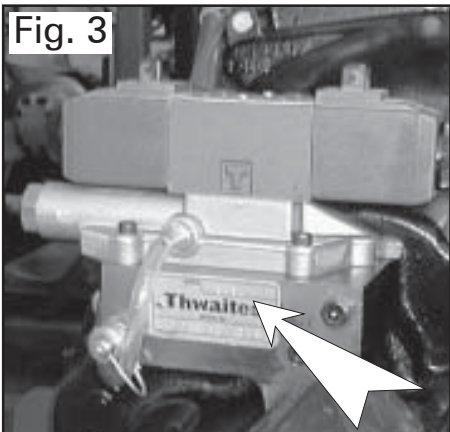
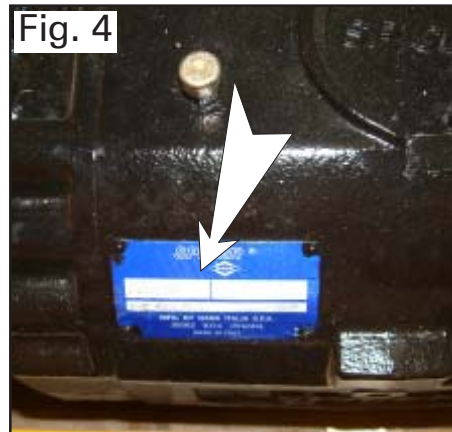
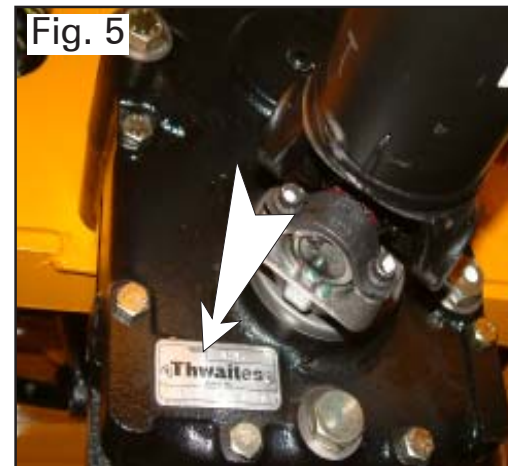


Thwaites**490 - 9 TONNE FORWARD TIP****allparts****Thwaites**
allparts

Thwaites Ltd
Leamington Spa
Warwickshire
CV32 7NQ
Tel +44 (0)1926 422471
Fax +44 (0)1926 450458
www.thwaitesdumpers.co.uk

FROM VIN No. A9766**DATED** 29th MARCH 2006**VIN No.** A _ _ _ _**ENGINE BUILD No.** RG38166u - TURBO**PAYLOAD** 9 TONNE**SKIP** FORWARD TIP**TRANSMISSION** POWERSHUTTLE**TYPE** MACH 490**PREFIX No.** 06

MACHINE IDENTIFICATION**Fig. 1****Fig. 2****Fig. 3****Fig. 4****Fig. 5****Serial Numbers**

Please quote machine serial numbers when in communication with your Thwaites distributor.

Model Type (Fig 1.)

Vin N° (Fig 1.)

Engine Serial N° (Fig 2.)

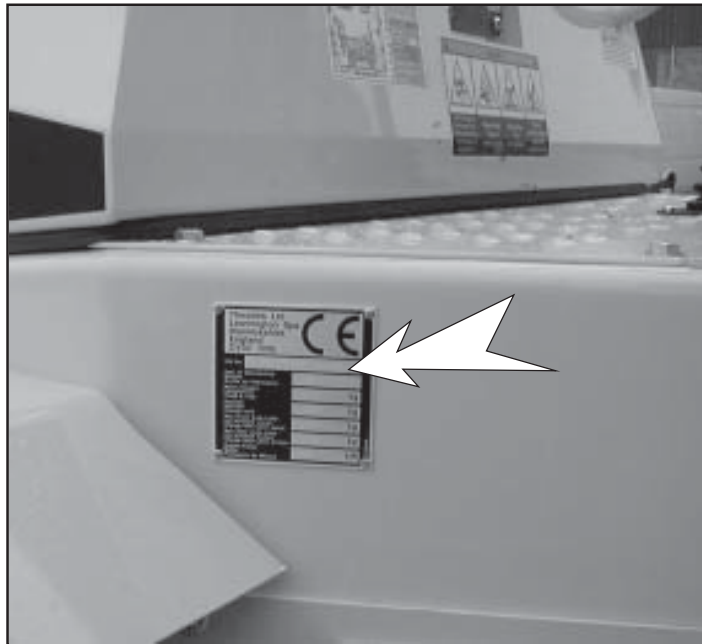
Gearbox Serial N° (Fig 3.)

Front & Rear Axle Serial N° (Fig 4.)

Transfer Box/Drive Motor Serial N° (Fig 5.)

VEHICLE IDENTIFICATION NUMBER - (VIN)

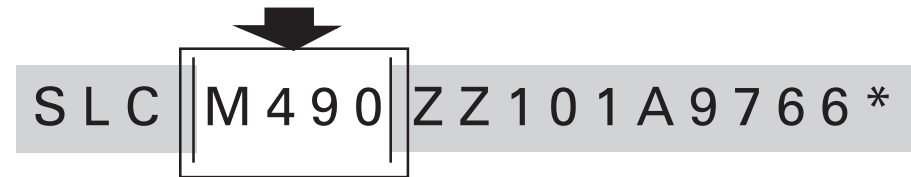
Thwaites have now adopted the international identification system known as VEHICLE IDENTIFICATION NUMBER normally referred to as VIN.



The VIN number incorporates a number of security features and also the machine model and individual serial number.

Important note: *Do not use this parts manual to order replacement spares if the prefix level of your machine is higher than the number quoted at the front of this parts manual.*

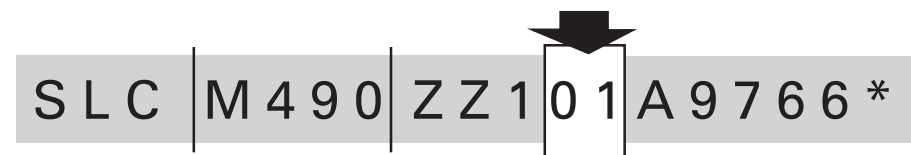
When ordering replacement spares it is important that the model or MACH number is used to identify the correct parts manual.



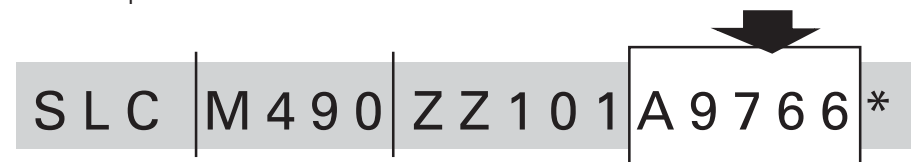
The year of manufacture:



The Machine Parts Manual issue level denoted by the two digit Prefix Number:

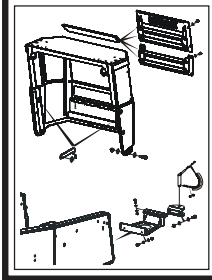


The unique machine serial number:



Please ensure that these numbers are quoted in all correspondence with your Thwaites distributor.

REAR COVER ASSEMBLY



PAGE 1 & 2

REAR CHASSIS ASSEMBLY



PAGE 3

SEAT ASSEMBLY



PAGE 4

CONTROL MTG BRACE ASSY



PAGE 5

ENGINE COVER ASSEMBLY



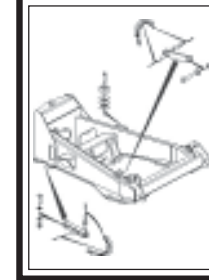
PAGE 6

SKIP ASSEMBLY



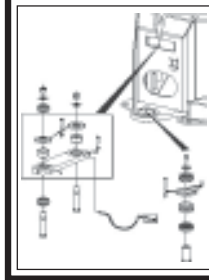
PAGE 7

FRONT CHASSIS ASSEMBLY



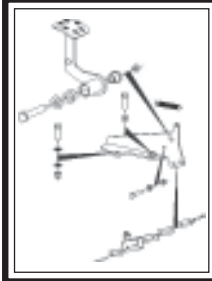
PAGE 8

KINGLINK ASSEMBLY



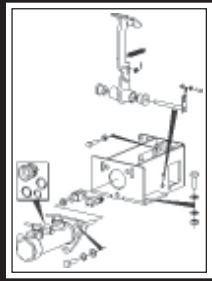
PAGE 9

DUMP PEDAL ASSEMBLY



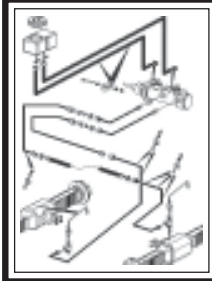
PAGE 10

BRAKE PEDAL ASSEMBLY



PAGE 11

BRAKE CIRCUIT FORWARD TIP



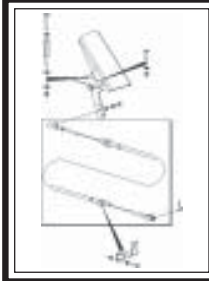
PAGE 12

LEG GUARD ASSEMBLY



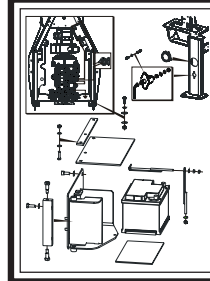
PAGE 13

THROTTLE ASSEMBLY



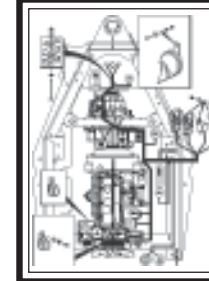
PAGE 14

BATTERY BOX ASSEMBLY



PAGE 15

ENGINE HARNESS



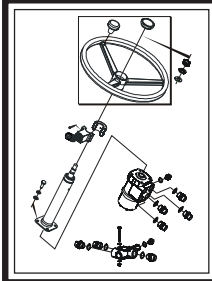
PAGE 16

DASH PANEL ASSEMBLY



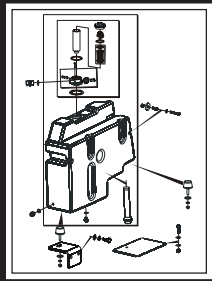
PAGE 17

STEERING ASSEMBLY



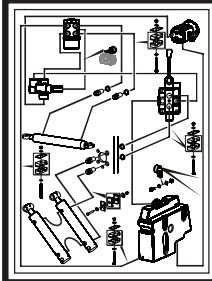
PAGE 18

HYD. TANK ASSEMBLY



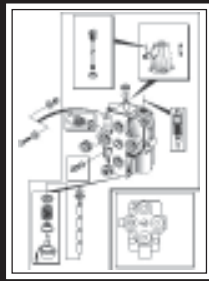
PAGE 19 & 20

HYDRAULIC CIRCUIT



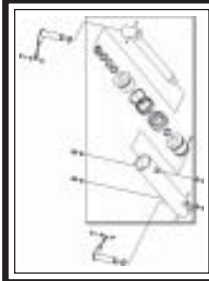
PAGE 21

TIPPING VALVE ASSEMBLY



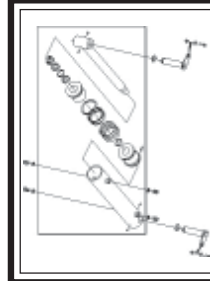
PAGE 22

TIPPING RAM ASSEMBLY - LH



PAGE 23

TIPPING RAM ASSEMBLY - RH



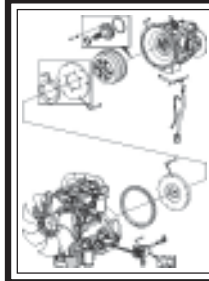
PAGE 24

STEERING RAM ASSEMBLY



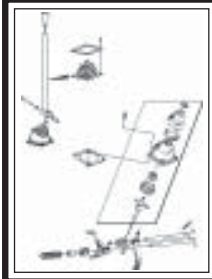
PAGE 25

TRANSMISSION DRIVE & PUMP



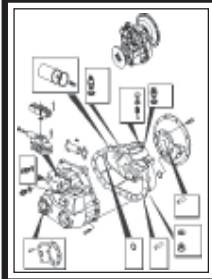
PAGE 26

TRANSMISSION GEAR CHANGE



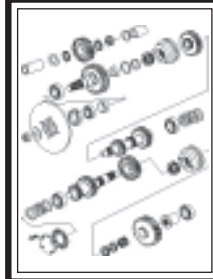
PAGE 27

TRANSMISSION EXTERNAL



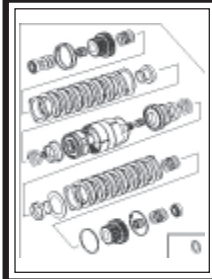
PAGE 28

TRANSMISSION INTERNAL



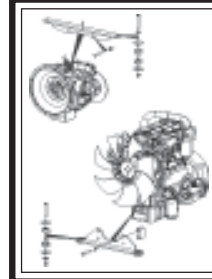
PAGE 29 & 30

TRANSMISSION REVERSE UNIT



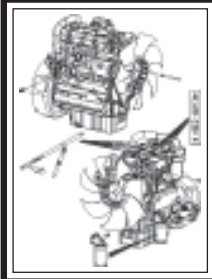
PAGE 31

ENGINE & G/BOX MOUNTINGS



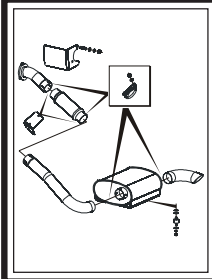
PAGE 32

ENGINE ACCESSORIES



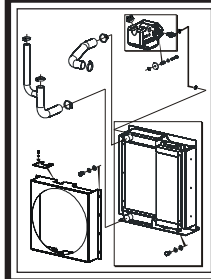
PAGE 33

EXHAUST SYSTEM - T



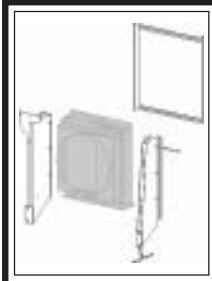
PAGE 34

RADIATOR & OIL COOLER



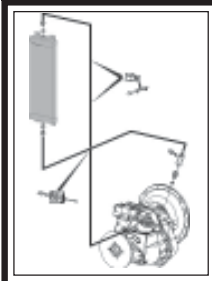
PAGE 35

RAD. SEALS & FIXINGS



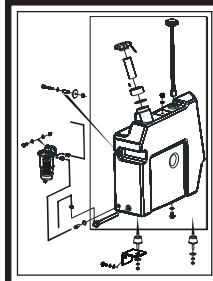
PAGE 36

OIL COOLER HOISING



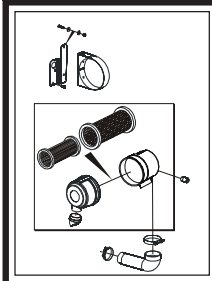
PAGE 37

FUEL TANK ASSEMBLY



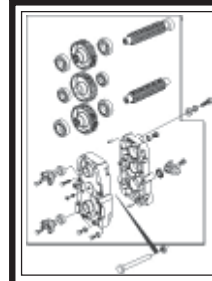
PAGE 38

AIR CLEANER ASSEMBLY - T



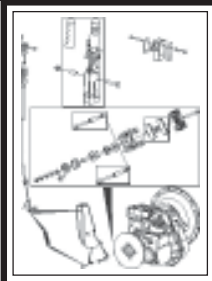
PAGE 39

TRANSFER BOX ASSEMBLY



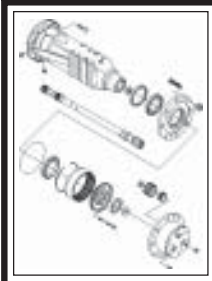
PAGE 40

HANDBRAKE ASSEMBLY



PAGE 41 & 42

AXLE - HUB REDUCTION



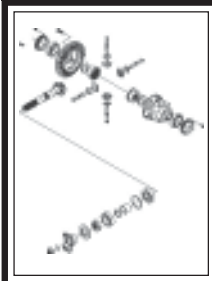
PAGE 43

AXLE - CENTRAL HOUSING



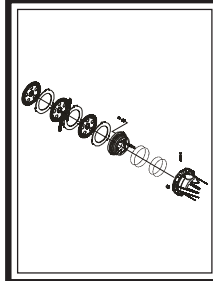
PAGE 44

AXLE - DIFFERENTIAL



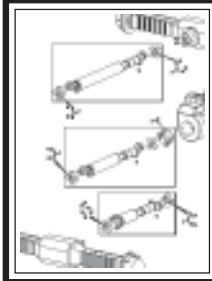
PAGE 45

AXLE - BRAKES



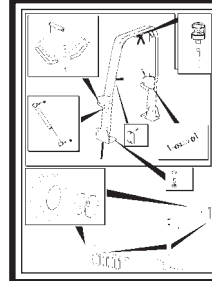
PAGE 46

PROPSHAFTS



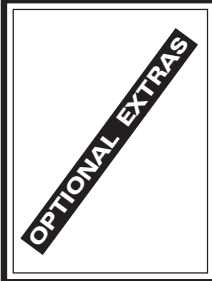
PAGE 47

ROPS FRAME & WHEEL ASSY.



PAGE 48

OPTIONAL EXTRAS



PAGE 49

MODIFICATIONS & ADDITIONS



PAGE 50 - 54

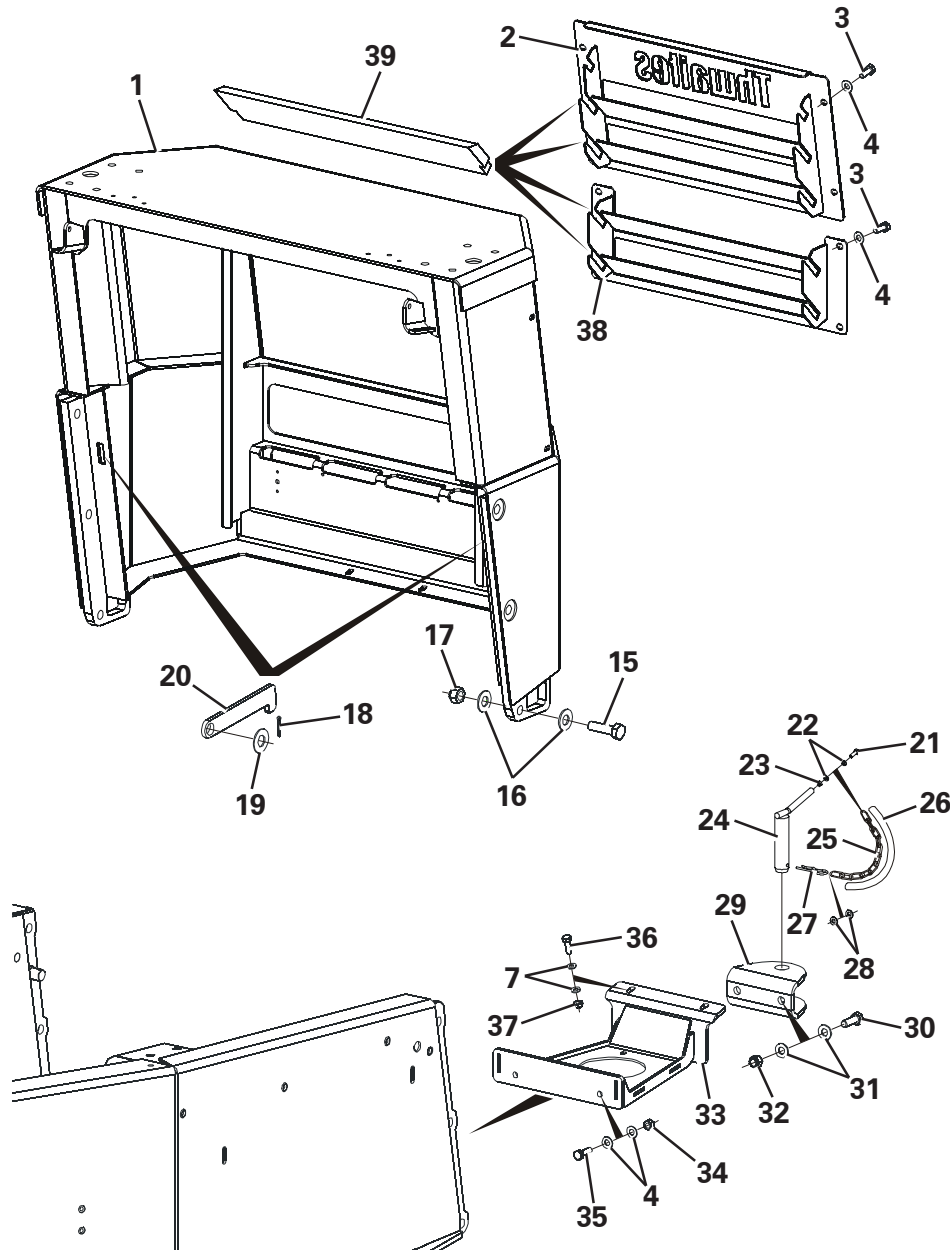
OPTIONAL EXTRAS



DENOTES
MODIFICATION

REAR COVER ASSEMBLY

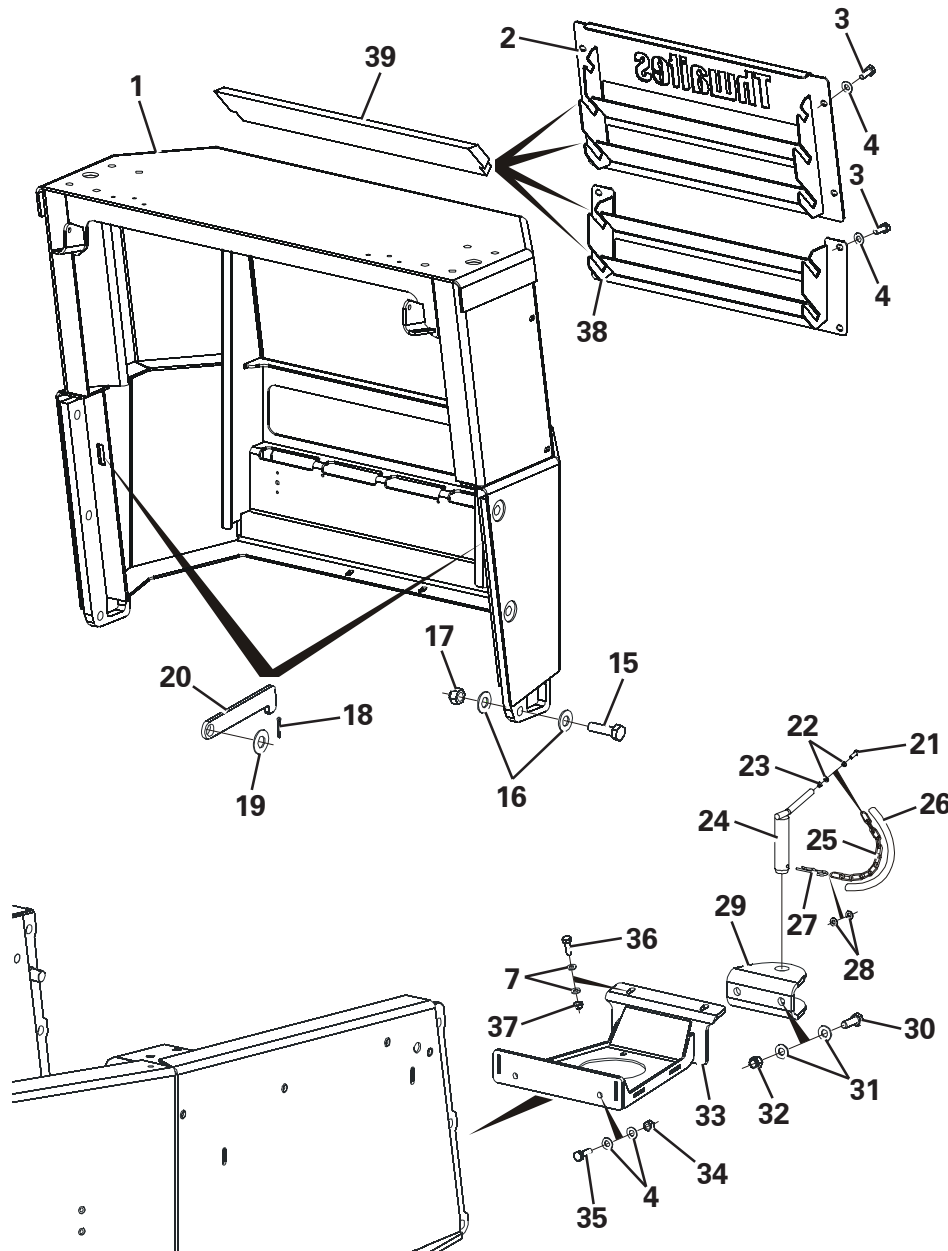
Item	Part No.	Description	Qty	U/M
1*	T103406	REAR COVER	1.0	EA
2	T102599	UPPER REAR GRILL	1.0	EA
3	T14077	SET SCREW	8.0	EA
4	T14748	HEAVY DUTY WASHER	12.0	EA
5*	DELETED			
6*	DELETED			
7*	T10734	HEAVY DUTY WASHER	4.0	EA
8*	DELETED			
9*	DELETED			
10*	DELETED			
11*	DELETED			
12*	DELETED			
13*	DELETED			
14*	DELETED			
15	T100310	BOLT	6.0	EA
16	T11811	HEAVY DUTY WASHER	12.0	EA
17	T20325	PHILIDAS NUT	6.0	EA
18	T6751	SPLIT PIN	2.0	EA
19	T6768	WASHER	2.0	EA
20	T100466	STRAP RETAINER	2.0	EA



Rear Cover Assembly 9T - Tier 2 mk2

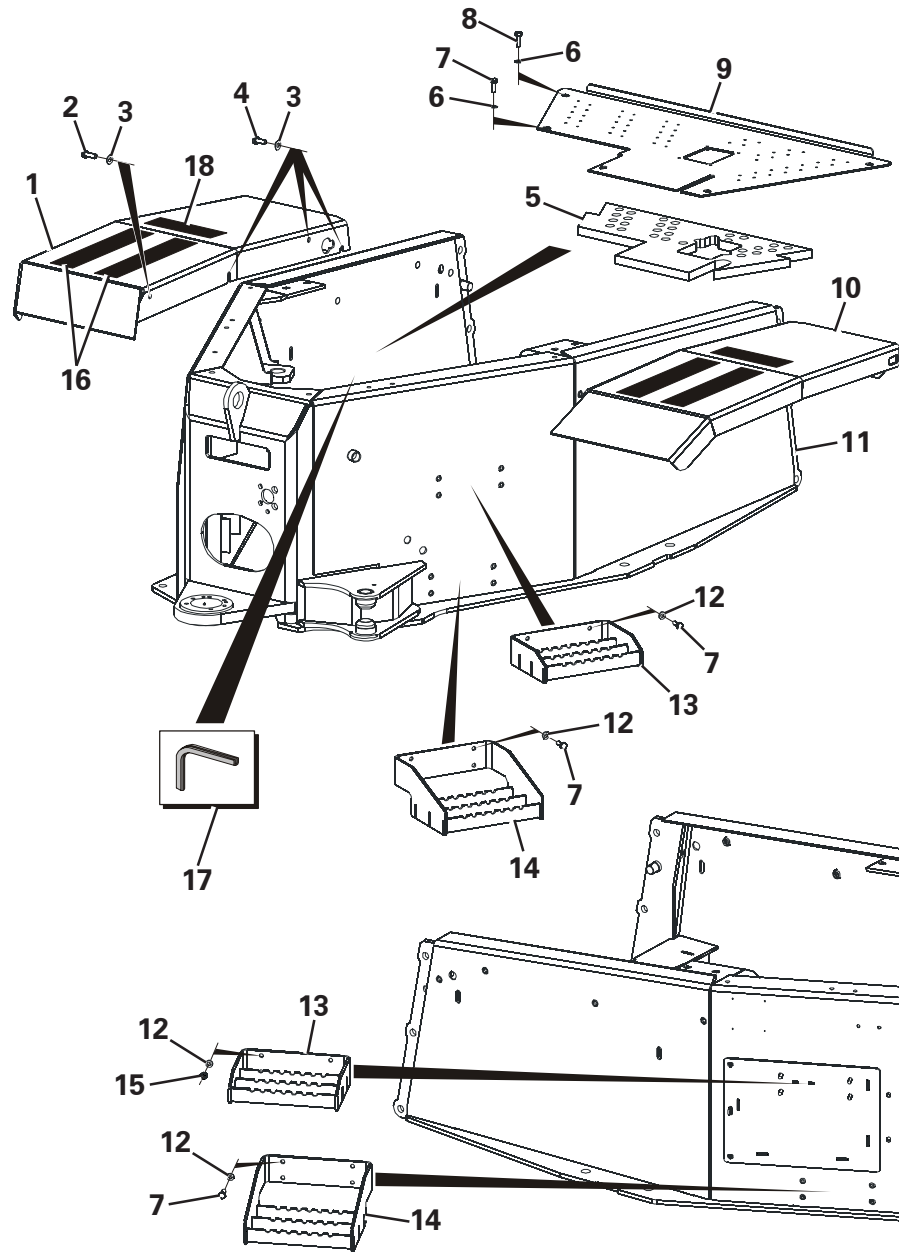
REAR COVER ASSEMBLY

Item	Part No.	Description	Qty	U/M
21	T16477	SET SCREW	1.0	EA
22	T13911	WASHER	2.0	EA
23	T10431	NUT	1.0	EA
24	T100156	TOWING PIN	1.0	EA
25	T14285	RETAINING CHAIN	1.0	EA
26	T17508	CHAIN SLEEVE	1.0	EA
27	T6075	R CLIP	1.0	EA
28	T15830	HEAVY DUTY WASHER	2.0	EA
29	T100155	TOWING JAW	1.0	EA
30	T100865	SET SCREW	2.0	EA
31	T100867	WASHER	4.0	EA
32	T14910	PHILIDAS NUT	2.0	EA
33	T102579	TOW BAR BRACKET	1.0	EA
34	T16422	NYLOC NUT	2.0	EA
35	T14078	SET SCREW	2.0	EA
36	T16505	SET SCREW	2.0	EA
37	T13064	PHILIDAS NUT	2.0	EA
38	T102600	LOWER REAR GRILL	1.0	EA
39	T102581	SOUND PROOFING PANEL	4.0	EA



Rear Cover Assembly 9T - Tier 2 mk2

REAR CHASSIS ASSEMBLY

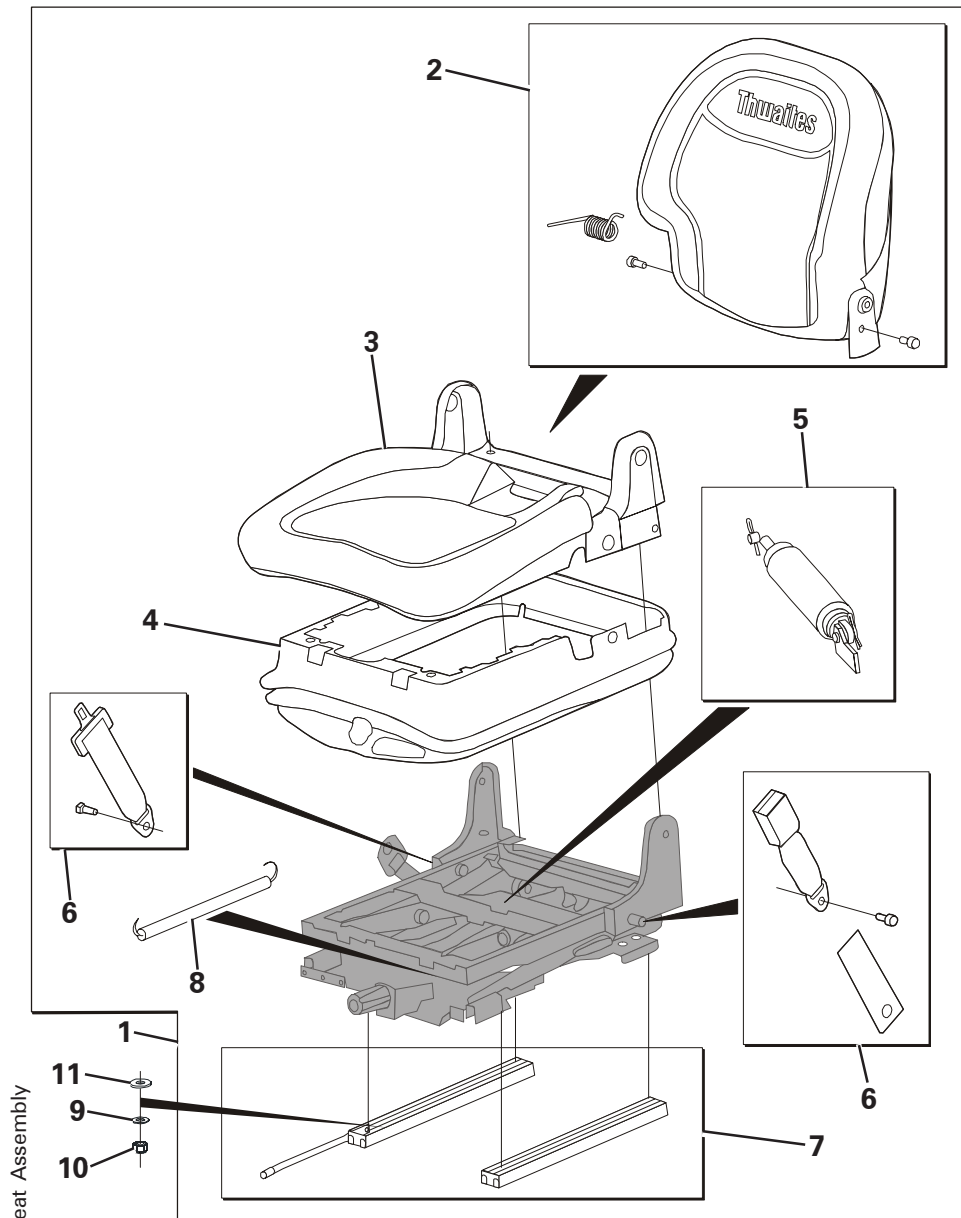


Item	Part No.	Description	Qty	U/M
1	T100145	REAR MUDGUARD R/H	1.0	EA
2	T16670	SET SCREW	2.0	EA
3	T14748	HEAVY DUTY WASHER	8.0	EA
4	T14077	SET SCREW	6.0	EA
5	T102113	SOUND INSULATION (FLOORPLATE)	1.0	EA
6	T10734	HEAVY DUTY WASHER	5.0	EA
7	T20618	SET SCREW	15.0	EA
8	T16505	SET SCREW	2.0	EA
9	T100467	FLOORPLATE SHUTTLE	1.0	EA
10	T100144	REAR MUDGUARD L/H	1.0	EA
11	T102352	REAR CHASSIS	1.0	EA
12	T15819	WASHER	16.0	EA
13	T100147	STEP (UPPER)	2.0	EA
14	T100148	STEP (LOWER)	2.0	EA
15	T13064	PHILIDAS NUT	4.0	EA
16	T100743	ANTI SLIP PAD	4.0	EA
17	T52795	E J TRIM	1.0	EA
18	T101567	ANTI SLIP MAT	2.0	EA

Rear Chassis Assembly - Powershuttle - 9 Tonne - Tier 2

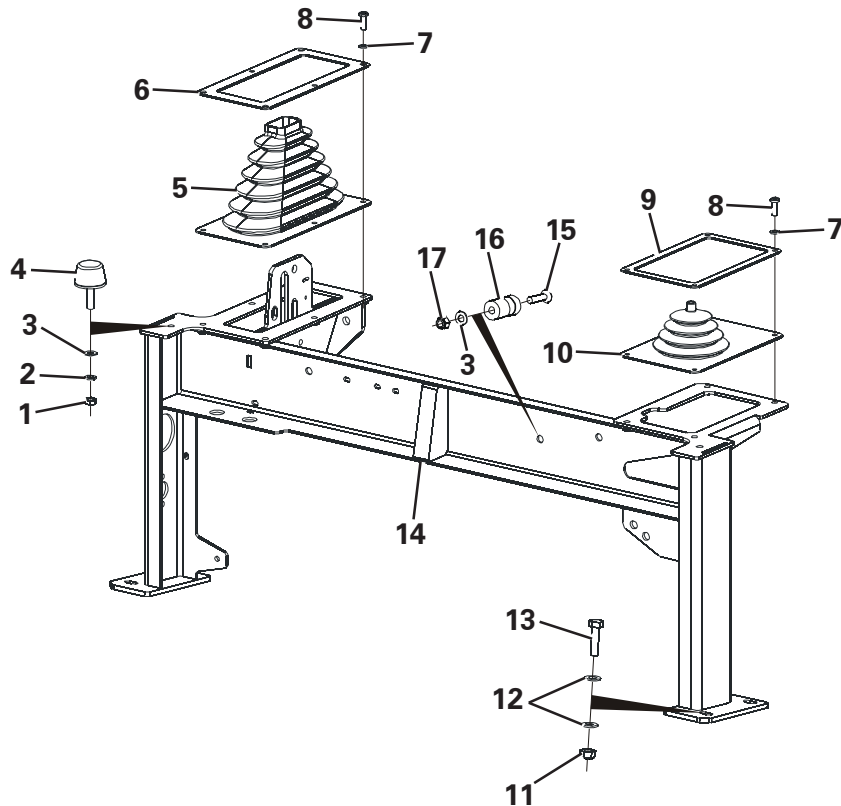
SEAT ASSEMBLY

Item	Part No.	Description	Qty	U/M
1*	T102628	SEAT	1.0	EA
2*	T53830	BACK CUSHION KIT	1.0	EA
3*	T53831	SEAT CUSHION KIT	1.0	EA
4	T53845	BOOT	1.0	EA
5	T53832	DAMPER KIT	1.0	EA
6*	T53840	SEATBELT KIT	1.0	EA
7*	T53829	SLIDE RAIL ADJUSTER KIT	1.0	EA
8	T53886	TRANSFER ROD	1.0	EA
9	T12973	PLAIN WASHER	4.0	EA
10	T13457	NYLOC NUT	4.0	EA
11	T9345	HEAVY DUTY WASHER	4.0	EA



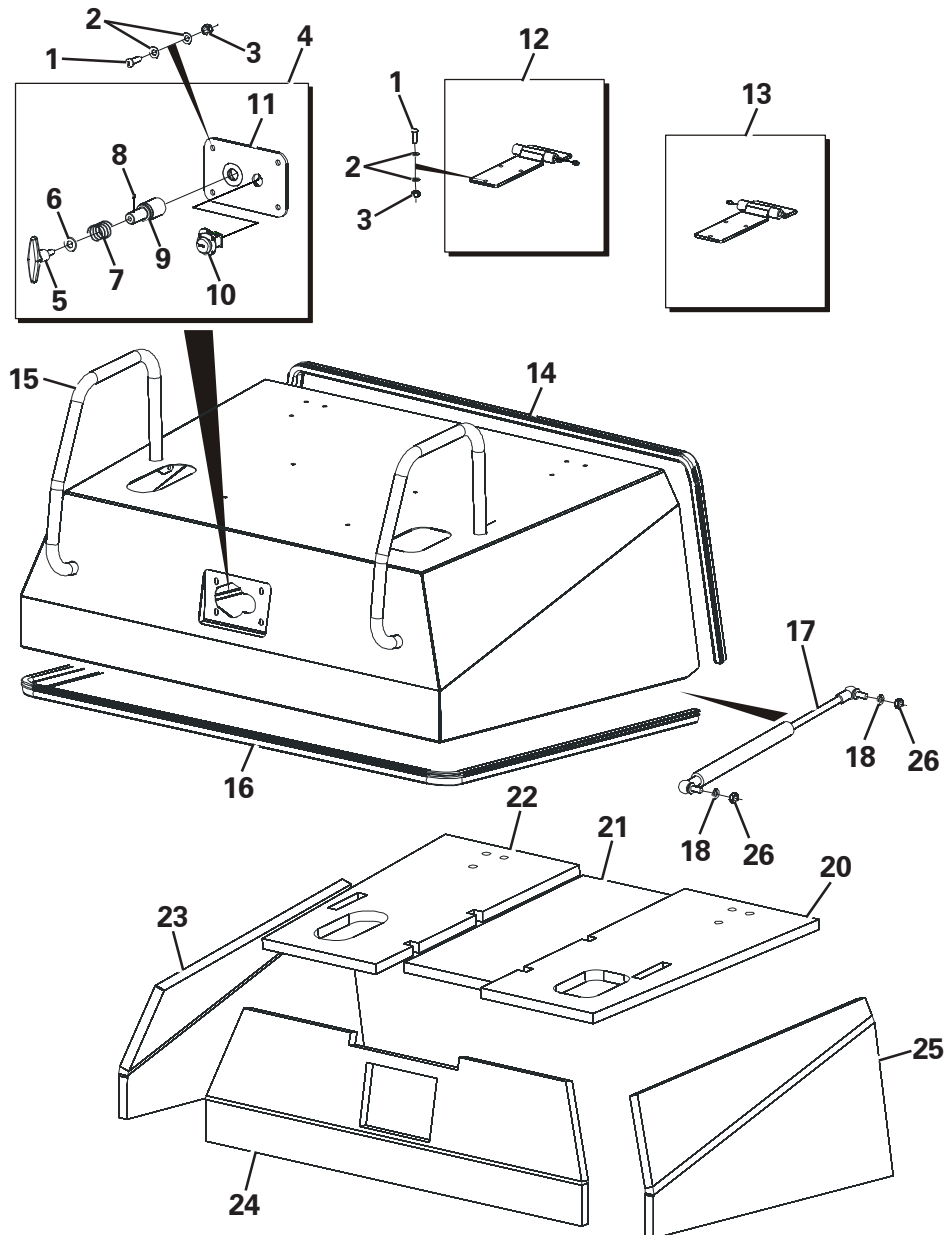
Seat Assembly

CONTROL MTG BRACE ASSEMBLY



Item	Part No.	Description	Qty	U/M
1	T9775	NUT	2.0	EA
2	T12972	SPRING WASHER	2.0	EA
3	T12973	WASHER	3.0	EA
4	T100214	RUBBER BUFFER	2.0	EA
5	T102351	GAITER	1.0	EA
6	T100570	GAITER RETAINING PLATE	1.0	EA
7	T13911	WASHER	10.0	EA
8	T16492	PAN HEAD SCREW	10.0	EA
9	T100569	TIPPING GAITER RETAINING PLATE	1.0	EA
10	T100289	TIPPING LEVER GAITER	1.0	EA
11	T13064	PHILIDAS NUT	4.0	EA
12	T10734	HEAVY DUTY WASHER	8.0	EA
13	T16500	BOLT	4.0	EA
14	T102308	CROSS BRACE	1.0	EA
15	T17070	SOCKET C/SUNK HEAD SCREW	1.0	EA
16	T102401	BEACON POST	1.0	EA
17	T13457	NYLOC NUT	1.0	EA

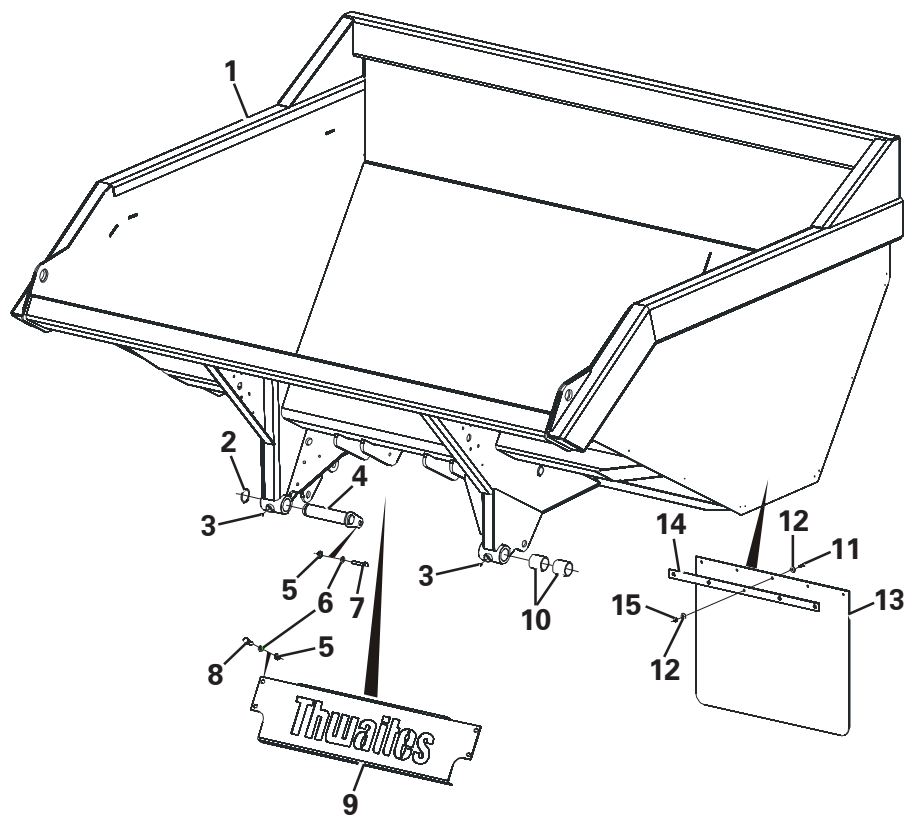
ENGINE COVER ASSEMBLY



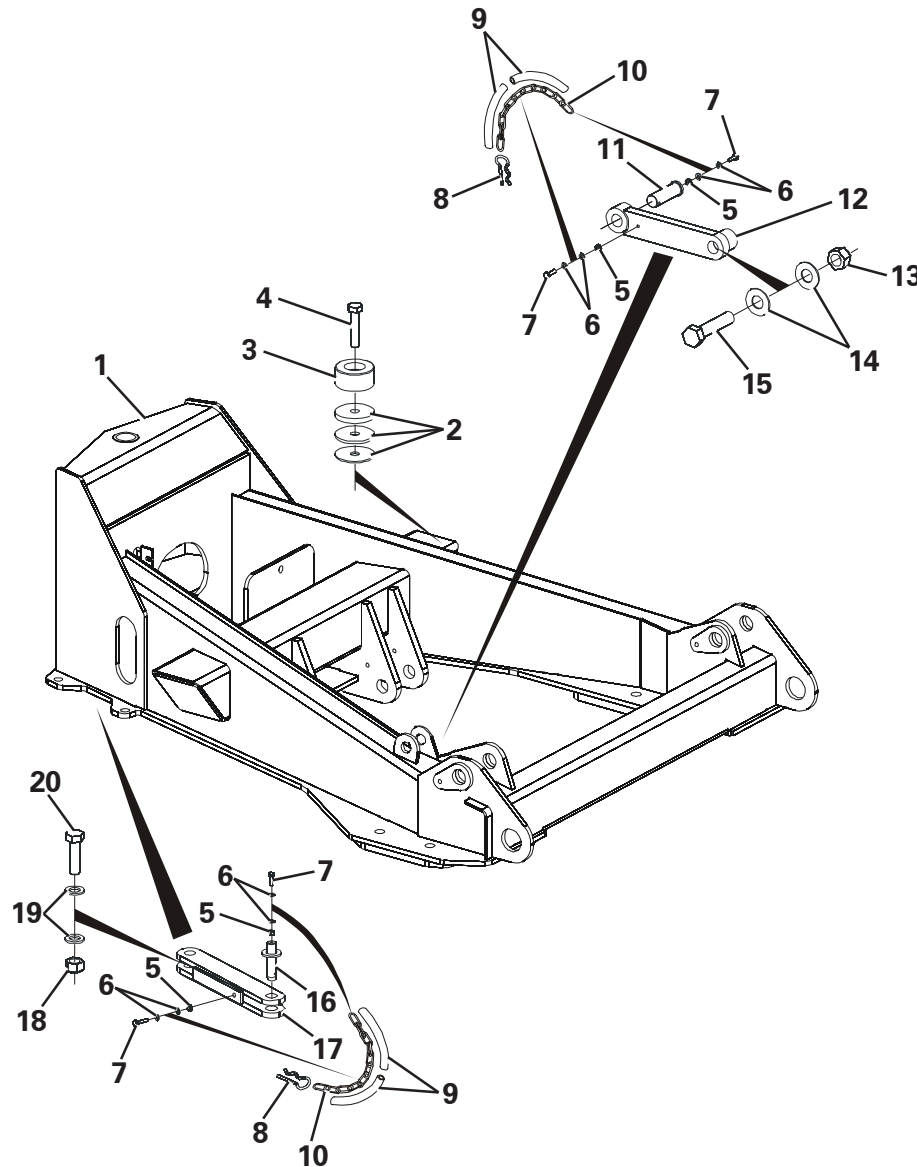
Item	Part No.	Description	Qty	U/M
1	T12971	SOCKET DOME HEAD SCREW	14.0	EA
2	T12973	WASHER	28.0	EA
3	T13457	NYLOC NUT	14.0	EA
4	T100211	LOCK ASSY	1.0	EA
5	T100216	RENCOL HANDLE	1.0	EA
6	T10734	HEAVY DUTY WASHER	1.0	EA
7	T100287	SPRING	1.0	EA
8	T100477	GRUB SCREW	1.0	EA
9	T100266	LOCK PLUNGER	1.0	EA
10	T100265	COMPARTMENT LOCK	1.0	EA
11	T100286	WELDED LOCK ASSY	1.0	EA
12	T101780	HINGE RH (CW GREASE NIPPLE)	1.0	EA
13	T101779	HINGE LH (CW GREASE NIPPLE)	1.0	EA
14	T100533	SEAL	1.0	EA
15*	T102796	ENGINE BONNET	1.0	EA
16	T101856	BONNET SEAL	1.0	EA
17	T100244	GAS STRUT	2.0	EA
18	T13362	SPRING WASHER	4.0	EA
19*		DELETED		
20	T102116	SOUND INSULATION (TOP LH)	1.0	EA
21	T102107	SOUND INSULATION (TOP CENTRE)	1.0	EA
22	T102117	SOUND INSULATION (TOP RH)	1.0	EA
23	T102109	SOUND INSULATION (RH)	1.0	EA
24	T102110	SOUND INSULATION (FRONT)	1.0	EA
25	T102108	SOUND INSULATION (LH)	1.0	EA
26	T12509	NUT	4.0	EA

SKIP ASSEMBLY

Item	Part No.	Description	Qty	U/M
1	T102573	SKIP	1.0	EA
2	T100099	CIRCLIP	2.0	EA
3	T16586	GREASE NIPPLE	2.0	EA
4	T101150	SKIP PIVOT PIN	2.0	EA
5	T13064	PHILIDAS NUT	6.0	EA
6	T10734	HEAVY DUTY WASHER	6.0	EA
7	T16501	BOLT	2.0	EA
8	T20618	SET SCREW	4.0	EA
9	T100153	NAMEPLATE	1.0	EA
10	T100029	BUSH	4.0	EA
11	T100700	SOCKET DOME HEAD SCREW	6.0	EA
12	T15830	HEAVY DUTY WASHER	12.0	EA
13	T19532	RUBBER MUDFLAP	2.0	EA
14	T19552	MUDFLAP RETAINER	2.0	EA
15	T13910	PHILIDAS NUT	6.0	EA



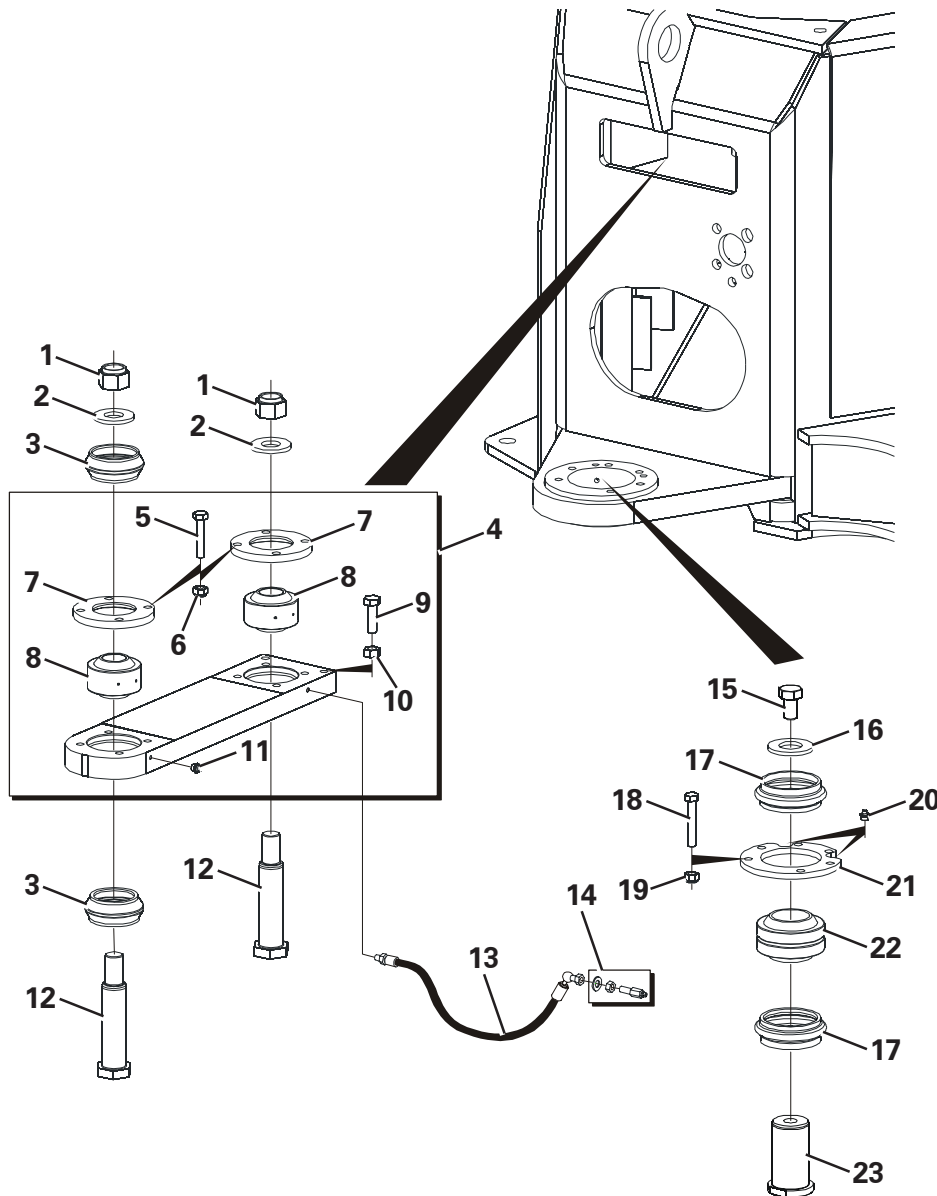
FRONT CHASSIS ASSEMBLY



Item	Part No.	Description	Qty	U/M
1	T102560	FRONT CHASSIS	1.0	EA
2	T100578	SKIP PAD SPACER 3mm	A/R	EA
	T100303	SKIP PAD SPACER 5mm	A/R	EA
	T100386	SKIP PAD SPACER 10mm	A/R	EA
3	T100302	SKIP PAD	2.0	EA
4	T100594	SET SCREW	2.0	EA
5	T10431	NUT	4.0	EA
6	T13911	WASHER	8.0	EA
7	T16477	SET SCREW	4.0	EA
8	T10012	R CLIP	2.0	EA
9	T17508	CHAIN SLEEVE	4.0	EA
10	T18186	PIN RETAINING CHAIN	2.0	EA
11	T100461	SKIP PROP PIN	1.0	EA
12	T100499	SKIP PROP	1.0	EA
13	T20320	PHILIDAS NUT	1.0	EA
14	T6768	WASHER	2.0	EA
15	T100504	BOLT	1.0	EA
16	T100103	CHASSIS LOCK PIN ASSY	1.0	EA
17	T100102	CHASSIS LOCK BAR ASSY	1.0	EA
18	T13739	PHILIDAS NUT	1.0	EA
19	T17306	WASHER	2.0	EA
20	T100310	BOLT	1.0	EA

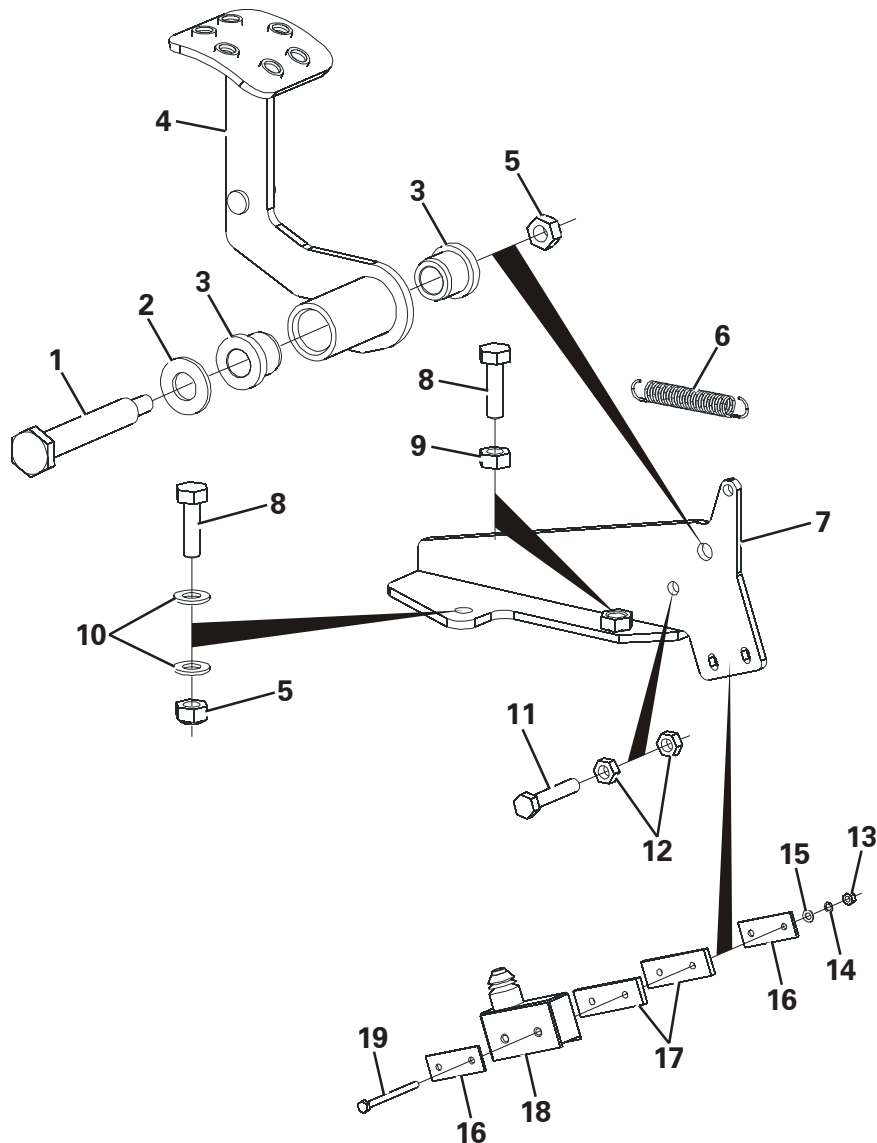
KINGLINK ASSEMBLY

Item	Part No.	Description	Qty	U/M
1	T12981	PHILIDAS NUT	2.0	EA
2	T13173	WASHER	2.0	EA
3	T100028	DUST SEAL	2.0	EA
4	T53802	KINGLINK ASSEMBLY	1.0	EA
5	T15392	BOLT	8.0	EA
6	T13064	PHILIDAS NUT	8.0	EA
7	T102640	BEARING CAP	2.0	EA
8	T12984	SPHERICAL PLAIN BEARING	2.0	EA
9	T14078	SET SCREW	2.0	EA
10	T16536	NUT	2.0	EA
11	T16586	GREASE NIPPLE	1.0	EA
12	T100091	BOTTOM PIVOT BOLT	2.0	EA
13	T100727	GREASE PIPE	1.0	EA
14	T100390	GREASE NIPPLE ASSEMBLY	1.0	EA
15	T102664	SET SCREW	1.0	EA
16	T102653	CLAMP WASHER	1.0	EA
17	T102649	DIRT SEAL	2.0	EA
18	T16488	BOLT	6.0	EA
19	T101724	NYLOC NUT	6.0	EA
20	T16575	GREASE NIPPLE	2.0	EA
21	T102648	BEARING CAP	1.0	EA
22	T102650	SPHERICAL BTM BEARING	1.0	EA
23	T102651	BTM PIVOT PIN	1.0	EA



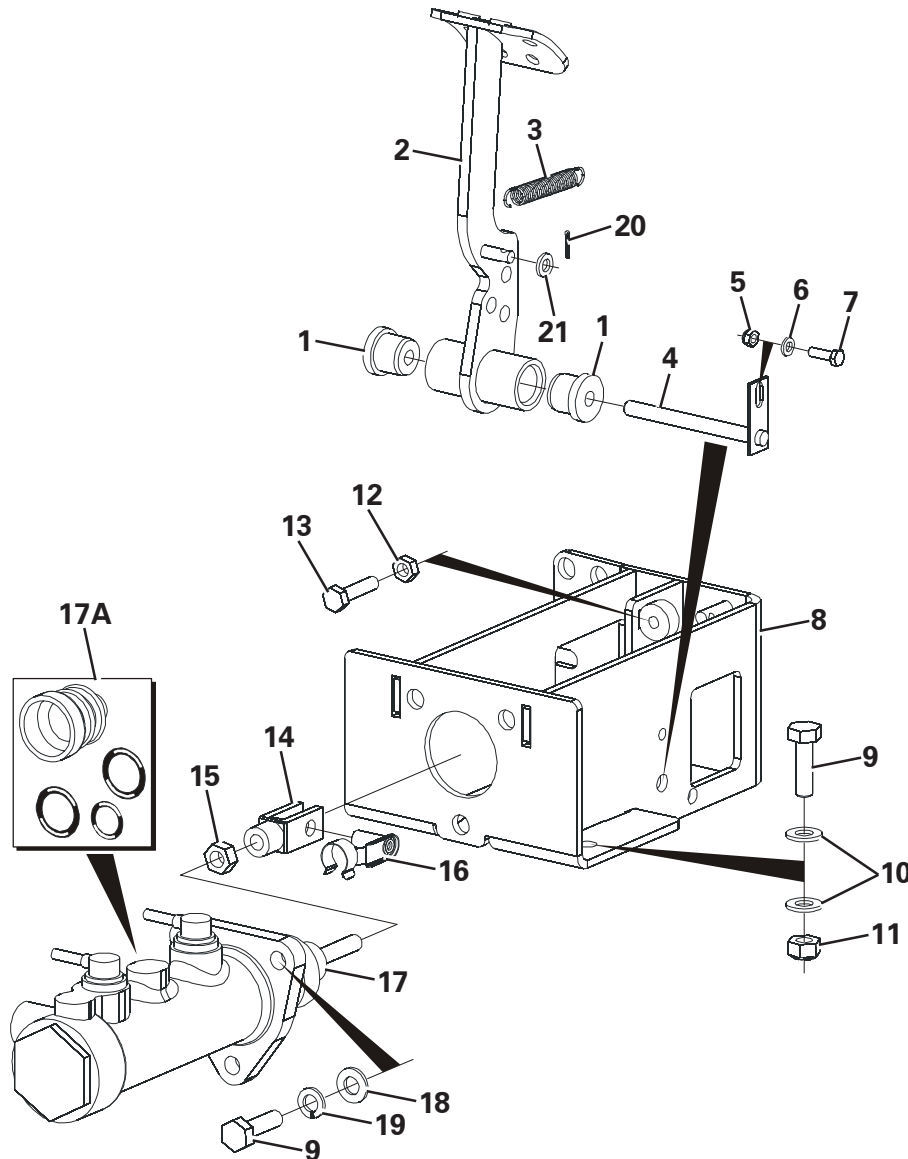
Kinglink Assembly - Tier 2

DUMP PEDAL ASSEMBLY



Item	Part No.	Description	Qty	U/M
1	T101775	PIVOT SHAFT	1.0	EA
2	T100867	WASHER	1.0	EA
3	T101776	BUSH	2.0	EA
4	T100094	DUMP VALVE PEDAL	1.0	EA
5	T13064	PHILIDAS NUT	5.0	EA
6	T100319	DUMP PEDAL SPRING	1.0	EA
7	T101854	DUMP PEDAL MTG BRKT	1.0	EA
8	T16505	SET SCREW	3.0	EA
9	T12509	NUT	1.0	EA
10	T10734	HEAVY DUTY WASHER	4.0	EA
11	T12823	BOLT	1.0	EA
12	T9775	NUT	2.0	EA
13	T11447	NUT	2.0	EA
14	T11439	SPRING WASHER	2.0	EA
15	T11440	WASHER	2.0	EA
16	T13289	MICRO SWITCH BACKING PLATE	2.0	EA
17	T101186	MICROSWITCH SPACER	2.0	EA
18	T100223	MICRO SWITCH	1.0	EA
19	T17738	SET SCREW	2.0	EA

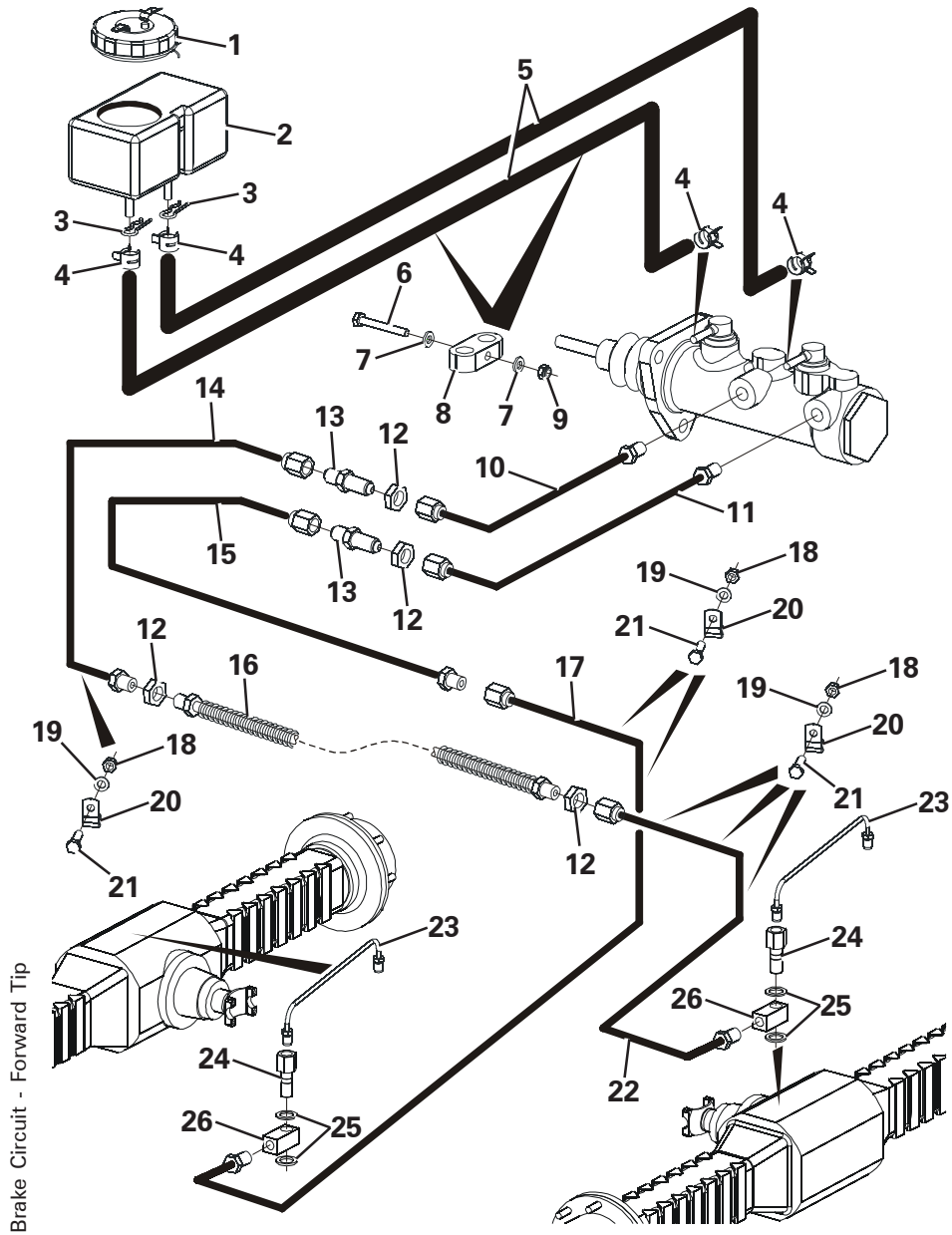
BRAKE PEDAL ASSEMBLY



Item	Part No.	Description	Qty	U/M
1	T100110	BUSH	2.0	EA
2	T102416	BRAKE PEDAL	1.0	EA
3	T100318	BRAKE SPRING	1.0	EA
4	T100096	PEDAL SHAFT	1.0	EA
5	T16481	NYLOC NUT	1.0	EA
6	T13911	WASHER	1.0	EA
7	T16477	SET SCREW	1.0	EA
8	T102518	BRAKE LEVER MTG BRKT	1.0	EA
9	T16505	SET SCREW	5.0	EA
10	T10734	HEAVY DUTY WASHER	4.0	EA
11	T13064	PHILIDAS NUT	2.0	EA
12	T9775	NUT	1.0	EA
13	T12694	BOLT	1.0	EA
14	T102365	FORK END	1.0	EA
15	T19015	NUT	1.0	EA
16	T102374	SPRING CLEVIS PIN	1.0	EA
17	T100410	MASTER CYLINDER	1.0	EA
17A	T52603	SEAL KIT	1.0	EA
18	T15819	WASHER	3.0	EA
19	T13362	SPRING WASHER	3.0	EA
20	T102540	SPLIT PIN	1.0	EA
21	T12973	WASHER	1.0	EA

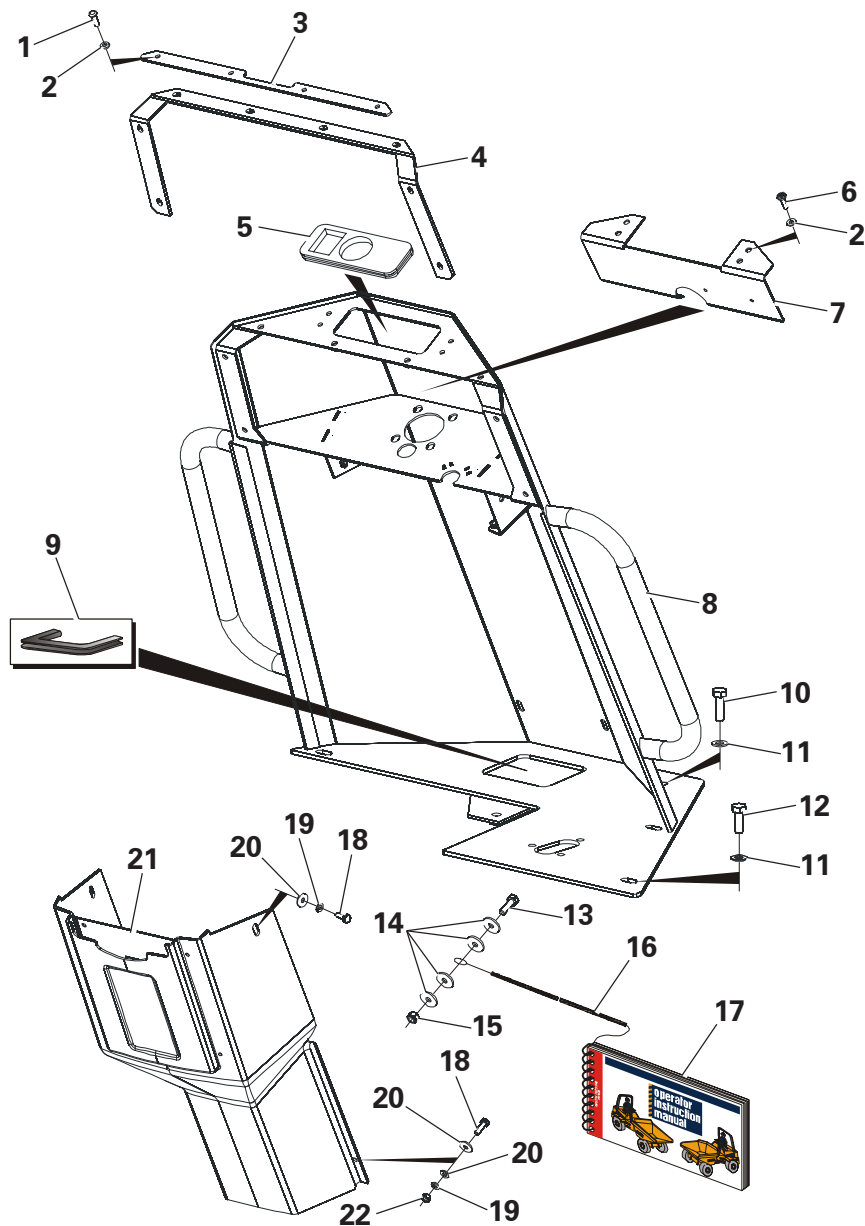
BRAKE CIRCUIT - FORWARD TIP

Item	Part No.	Description	Qty	U/M
1	T51682	RESERVOIR CAP	1.0	EA
2	T17916	BRAKE M/CYL.RESERVOIR	1.0	EA
3	T52646	RESERVOIR 'P' CLIP	2.0	EA
4	T100691	HOSE CLIP	4.0	EA
5	T19604	M/CYL-RES.HOSE	2.0	EA
6	T17155	BOLT	2.0	EA
7	T13911	WASHER	4.0	EA
8	T101039	PIPE CLAMP	2.0	EA
9	T16481	NYLOC NUT	2.0	EA
10	T100693	BRAKE PIPE	1.0	EA
11	T100692	BRAKE PIPE	1.0	EA
12	T8942	LOCK NUT	4.0	EA
13	T100697	BRAKE B/H UNION	2.0	EA
14	T100696	BRAKE PIPE	1.0	EA
15	T100694	BRAKE PIPE	1.0	EA
16	T100335	FLEXIBLE BRAKEHOSE	1.0	EA
17*	T102472	BRAKE PIPE (REAR)	1.0	EA
18	T16613	NYLOC NUT	6.0	EA
19	T16612	WASHER	6.0	EA
20	T11452	P CLIP	6.0	EA
21	T16610	CHEESE HEAD SCREW	6.0	EA
22*	T102698	BRAKE PIPE (FRONT)	1.0	EA
23	T102473	BRAKE PIPE CROSSOVER	2.0	EA
24	T102514	BRAKE TEE BANJO BOLT	2.0	EA
25	T15176	DOWTY WASHER	4.0	EA
26	T102513	BRAKE PIPE TEE	2.0	EA



Brake Circuit - Forward Tip

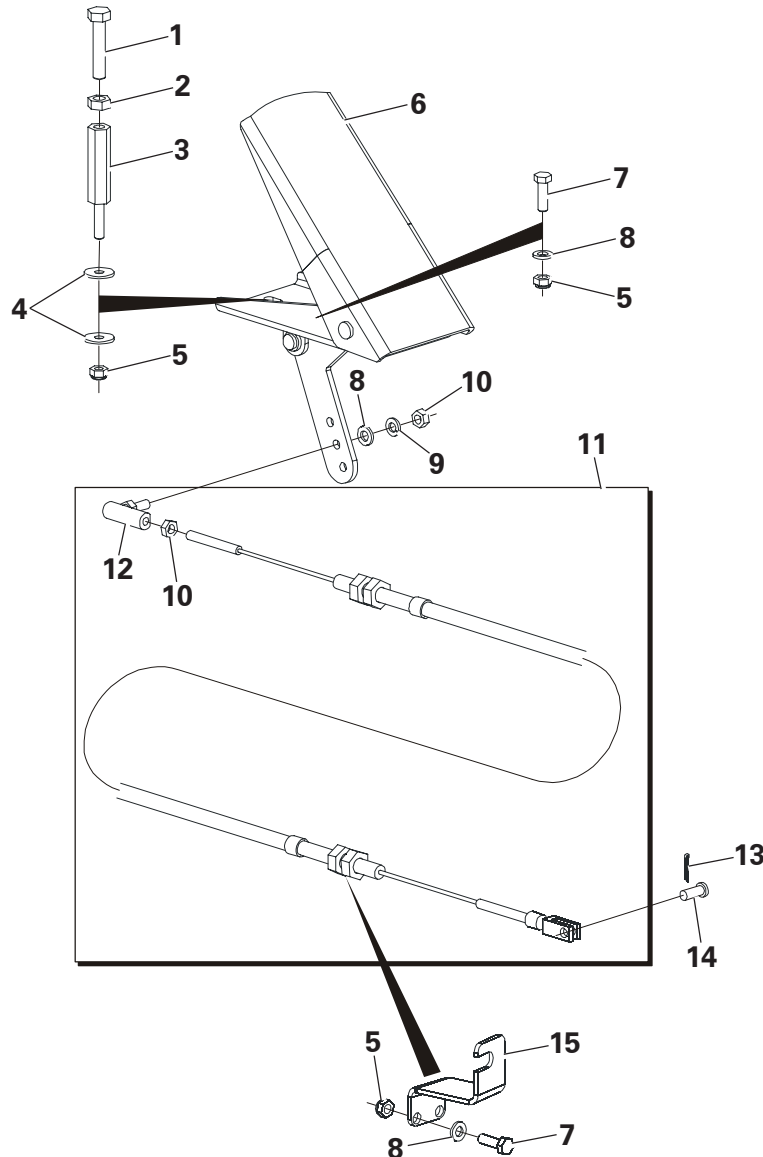
LEG GUARD ASSEMBLY



Item	Part No.	Description	Qty	U/M
1	T100315	DOME HEAD SCREW	4.0	EA
2	T13911	WASHER	8.0	EA
3	T100506	CLAMPING STRIP	1.0	EA
4	T100320	SEALING GASKET	1.0	EA
5	T100355	STEERING COLUMN GROMMET	1.0	EA
6	T16492	PAN HEAD SCREW	4.0	EA
7	T100540	SPLASH GUARD	1.0	EA
8	T100080	LEG GUARD ASSY	1.0	EA
9	T52795	E J TRIM	1.0	EA
10	T16500	SET SCREW	2.0	EA
11	T10734	HEAVY DUTY WASHER	5.0	EA
12	T20618	SET SCREW	3.0	EA
13	T12694	SET SCREW	1.0	EA
14	T9345	HEAVY DUTY WASHER	4.0	EA
15	T13457	NYLOC NUT	1.0	EA
16	T100699	RETAINING CABLE	1.0	EA
17	T0474	OPERATOR BOOK	1.0	EA
18	T16477	SET SCREW	2.0	EA
19	T14837	SPRING WASHER	4.0	EA
20	T15830	HEAVY DUTY WASHER	6.0	EA
21	T100159	INNER LEG GUARD	1.0	EA
22	T10431	NUT	2.0	EA

Leg Guard Assembly - Tier 2

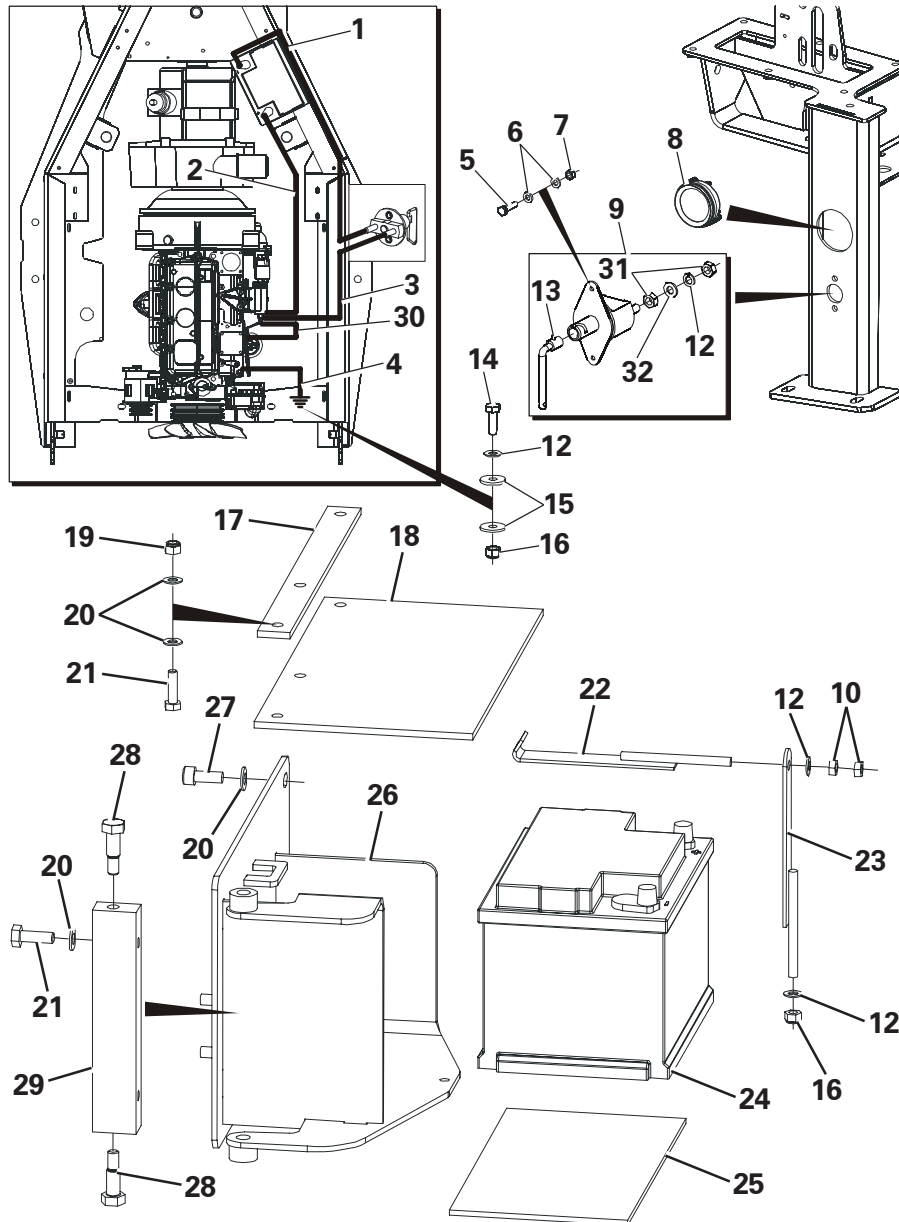
THROTTLE ASSEMBLY



Item	Part No.	Description	Qty	U/M
1	T14277	BOLT	1.0	EA
2	T9775	NUT	1.0	EA
3	T101032	THROTTLE STOP	1.0	EA
4	T15830	HEAVY DUTY WASHER	2.0	EA
5	T16481	NYLOC NUT	5.0	EA
6	T101965	THROTTLE PEDAL	1.0	EA
7	T16477	SET SCREW	4.0	EA
8	T13911	WASHER	5.0	EA
9	T14837	SPRING WASHER	1.0	EA
10	T10431	NUT	2.0	EA
11	T101908	THROTTLE CABLE	1.0	EA
12	T16192	AMEL END	1.0	EA
13	T6744	SPLIT PIN	1.0	EA
14	T13265	CLEVIS PIN	1.0	EA
15	T101910	THROTTLE CABLE ENG BRKT	1.0	EA

BATTERY BOX ASSEMBLY

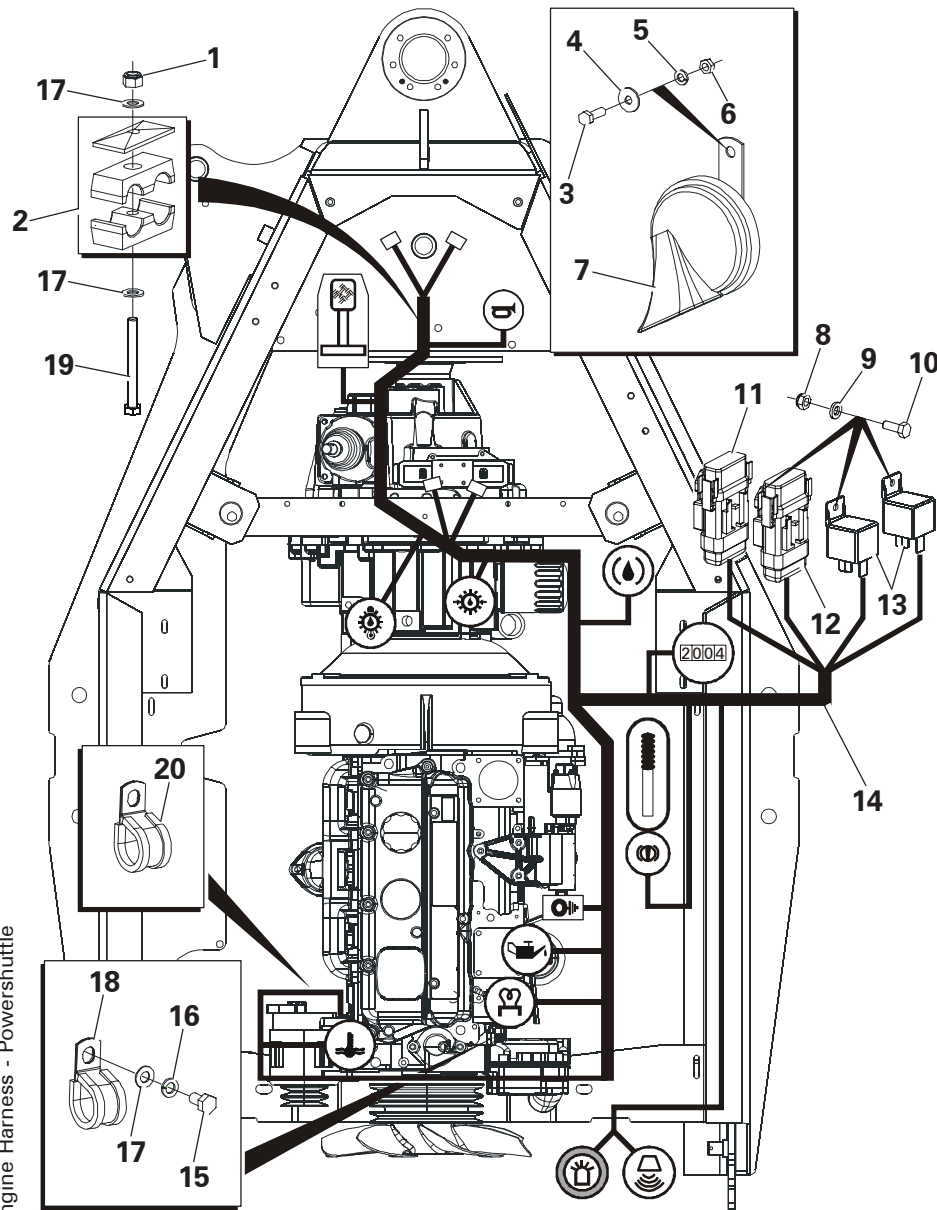
Item	Part No.	Description	Qty	U/M
1*	T102980	BATTERY NEGATIVE CABLE	1.0	EA
2*	T102982	BATTERY POSITIVE CABLE	1.0	EA
3*	T102981	ISOLATOR CABLE	1.0	EA
4	T102057	CHASSIS EARTH CABLE	1.0	EA
5	T16476	SET SCREW	2.0	EA
6	T13911	WASHER	4.0	EA
7	T16481	NYLOC NUT	2.0	EA
8	T16538	HOURMETER	1.0	EA
9*	T102979	BATTERY ISOLATOR SWITCH	1.0	EA
10*	T9775	NUT	2.0	EA
11*	T13362	SPRING WASHER	4.0	EA
12*	T12973	WASHER	3.0	EA
13*	T53849	KEY	1.0	EA
14	T12694	SET SCREW	1.0	EA
15	T9345	HEAVY DUTY WASHER	2.0	EA
16	T13457	NYLOC NUT	2.0	EA
17	T100394	BATTERY COVER RETAINER	1.0	EA
18	T100393	RUBBER BATTERY COVER	1.0	EA
19	T13064	PHILIDAS NUT	3.0	EA
20	T10734	HEAVY DUTY WASHER	10.0	EA
21	T20618	SET SCREW	5.0	EA
22	T100432	BATTERY STOP TOP	1.0	EA
23	T100433	BATTERY CLAMP	1.0	EA
24	T8008	BATTERY (WITH HANDLES)	1.0	EA
25	T12874	BATTERY MAT	1.0	EA
26	T100301	BATTERY BOX	1.0	EA
27	T17842	SOCKET HEAD CAP SCREW	2.0	EA
28	T100577	PIVOT PIN	2.0	EA
29	T100576	BATTERY BOX HINGE	1.0	EA
30*	T100665	CHASSIS EARTH CABLE	1.0	EA
31*	T12509	NUT	4.0	EA
32*	T15819	WASHER	2.0	EA



Battery Box - Powershuttle - Tier 2

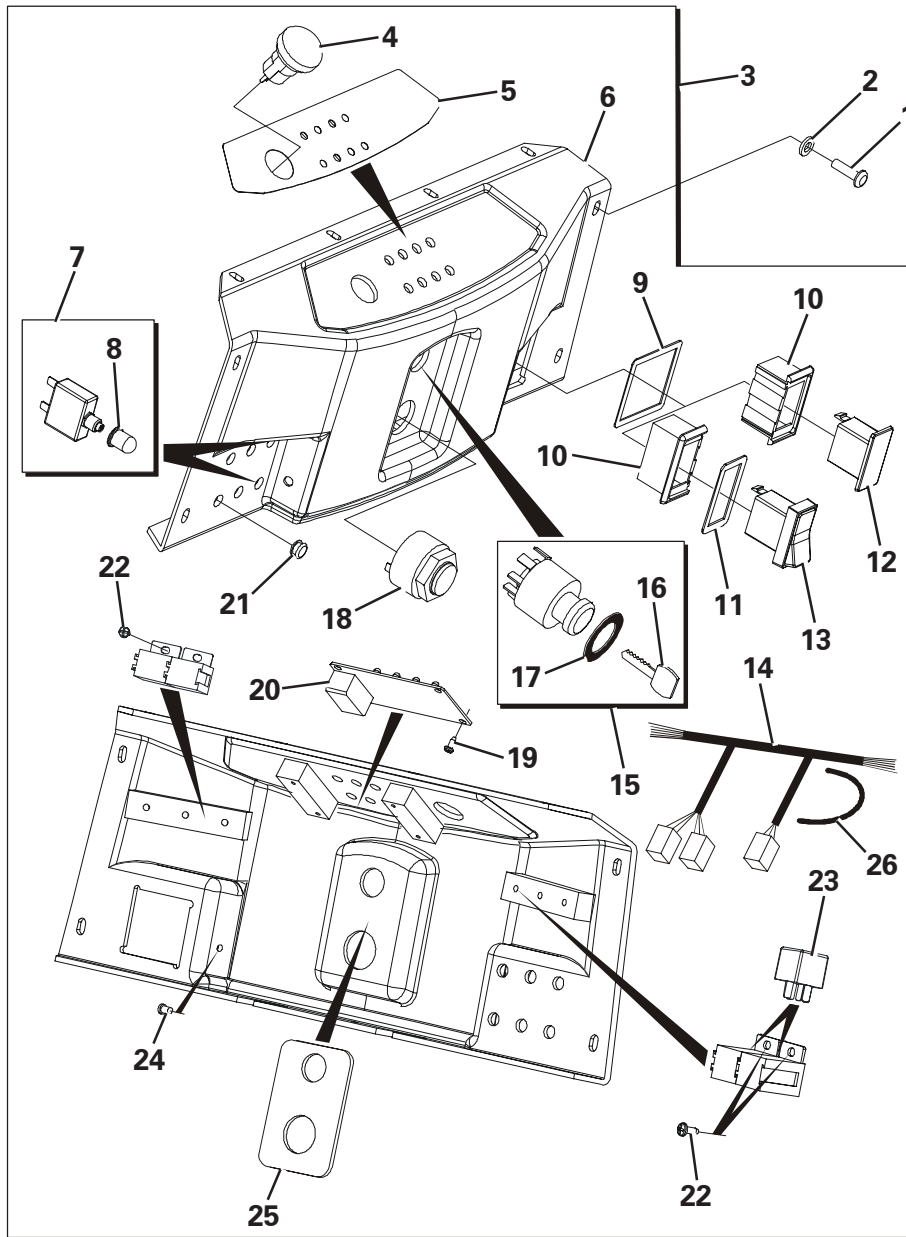
ENGINE HARNESS

Item	Part No.	Description	Qty	U/M
1	T13457	NYLOC NUT	1.0	EA
2	T101042	PIPE CLAMP	1.0	EA
3	T16477	SET SCREW	1.0	EA
4	T15830	HEAVY DUTY WASHER	1.0	EA
5	T14837	SPRING WASHER	1.0	EA
6	T10431	NUT	1.0	EA
7	T15110	HORN	1.0	EA
8	T16613	NYLOC NUT	3.0	EA
9	T16612	WASHER	3.0	EA
10	T16611	CHEESE HEAD SCREW	3.0	EA
11	T101450	MAXIFUSE 30AMP	1.0	EA
12	T102126	MAXIFUSE 50AMP	1.0	EA
13	T101993	POWER RELAY	2.0	EA
14	T102300	ENGINE HARNESS	1.0	EA
15	T7465	SET SCREW	1.0	EA
16	T12972	SPRING WASHER	1.0	EA
17	T12973	WASHER	3.0	EA
18	T9914	P CLIP	1.0	EA
19	T16666	BOLT	1.0	EA
20	T11514	P CLIP	1.0	EA



Engine Harness - Powershuttle

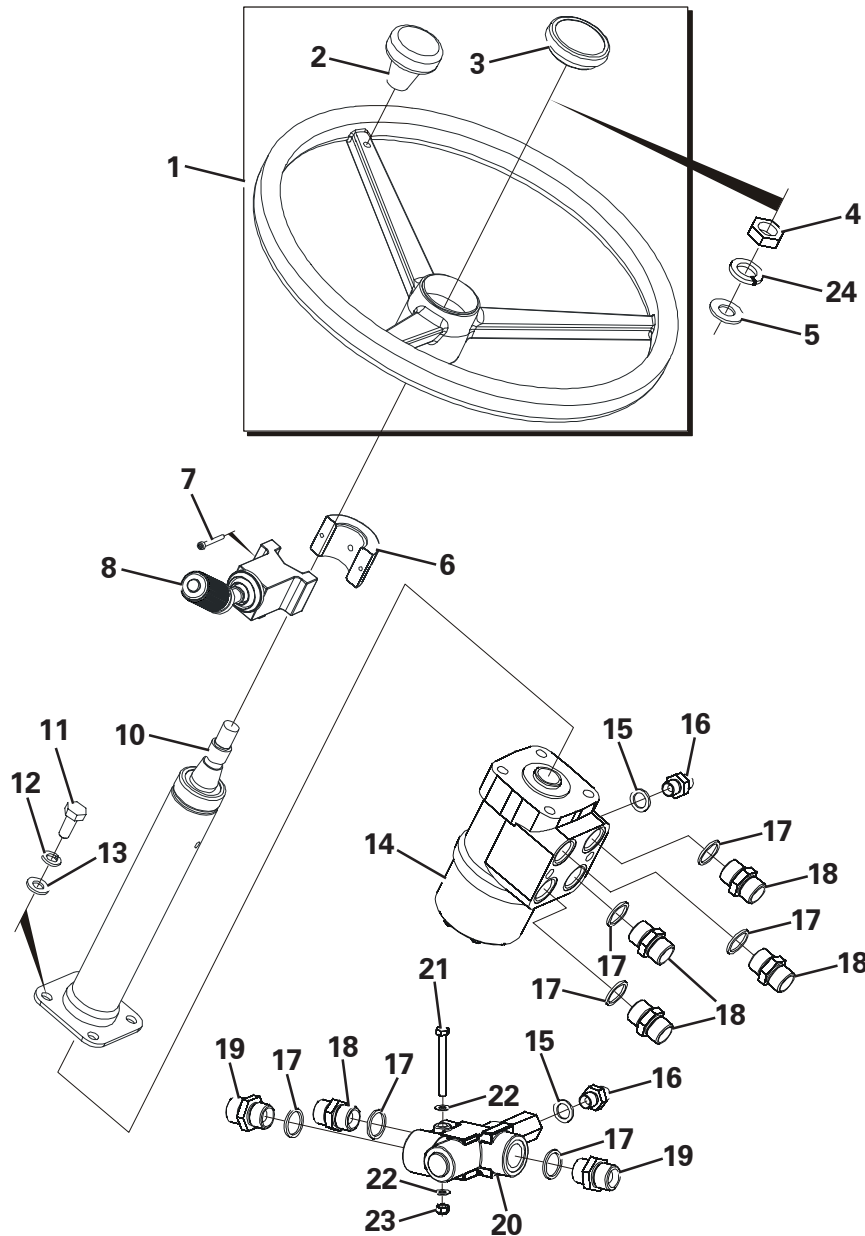
DASH PANEL ASSEMBLY



Item	Part No.	Description	Qty	U/M
1	T100315	DOME HEAD SCREW	4.0	EA
2	T13911	WASHER	4.0	EA
3*	T102851	DASHPANEL ASSY	1.0	EA
4	T52302	HORN PUSH	1.0	EA
5	T52308	CONSOLE DECAL	1.0	EA
6*	T102847	DASH PANEL	1.0	EA
7*	T102845	CIRCUIT BREAKER 18AMP	2.0	EA
8*	T102846	CIRCUIT BREAKER SPLASHGUARD	2.0	EA
9	T52448	MOUNTING PANEL GASKET	1.0	EA
10	T52446	SWITCH MOUNTING PANEL	2.0	EA
11	T52304	SWITCH BLANK SEAL	2.0	EA
12	T52303	SWITCH BLANK	1.0	EA
13	T52445	BEACON SWITCH	1.0	EA
14	T102044	PANEL HARNESS	1.0	EA
15	T102451	IGNITION SWITCH	1.0	EA
16	T50479	STARTER SWITCH KEY	1.0	EA
17	T52311	INDEX PLATE	1.0	EA
18	T100902	BUZZER	1.0	EA
19	T101135	SCREW	4.0	EA
20	T101128	LED MODULE	1.0	EA
21	T52447	BLANKING GROMMET	4.0	EA
22	T101134	SCREW	4.0	EA
23	T101129	RELAY	2.0	EA
24	T102061	BLANKING GROMMET	2.0	EA
25	T102459	IGNITION SWITCH BACKING PLATE	1.0	EA
26	T102065	DIODE PACK SINGLE	1.0	EA

Dash Panel - Powershuttle - Tier 2

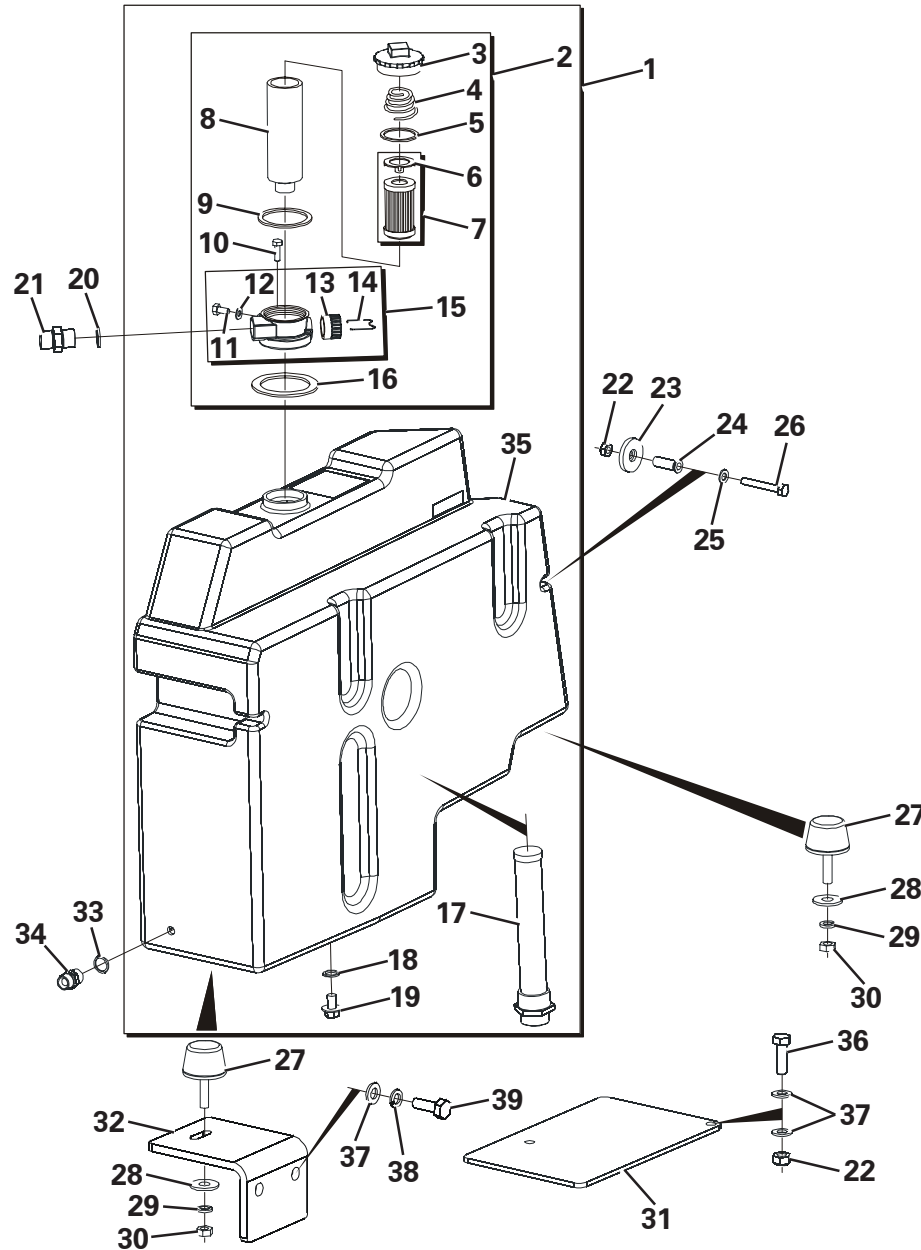
STEERING ASSEMBLY



Item	Part No.	Description	Qty	U/M
1	T100496	STEERING WHEEL & CAP	1.0	EA
2	T52520	SPINNER KNOB	1.0	EA
3	T50541	CENTRE CAP	1.0	EA
4*	T53853	NUT	1.0	EA
5	T6765	WASHER	1.0	EA
6	T19611	COLUMN SWITCH CLAMP	1.0	EA
7	T19583	SOCKET HEAD CAP SCREW	2.0	EA
8	T100019	COLUMN SWITCH	1.0	EA
9*	DELETED			
10	T100015	STEERING COLUMN	1.0	EA
11*	T20618	SET SCREW	4.0	EA
12	T13362	SPRING WASHER	4.0	EA
13	T15819	WASHER	4.0	EA
14	T102574	STEERING ORBITROL	1.0	EA
15	T10940	DOWTY WASHER	2.0	EA
16	T10847	ADAPTOR	2.0	EA
17	T5596	DOWTY WASHER	7.0	EA
18	T13936	ADAPTOR	5.0	EA
19	T100465	ADAPTOR	2.0	EA
20	T19429	LOAD SENSING VALVE	1.0	EA
21	T16666	BOLT	1.0	EA
22	T12973	WASHER	2.0	EA
23	T19007	PHILIDAS NUT	1.0	EA
24*	T100387	SPRING WASHER	1.0	EA

Steering Assembly mk2

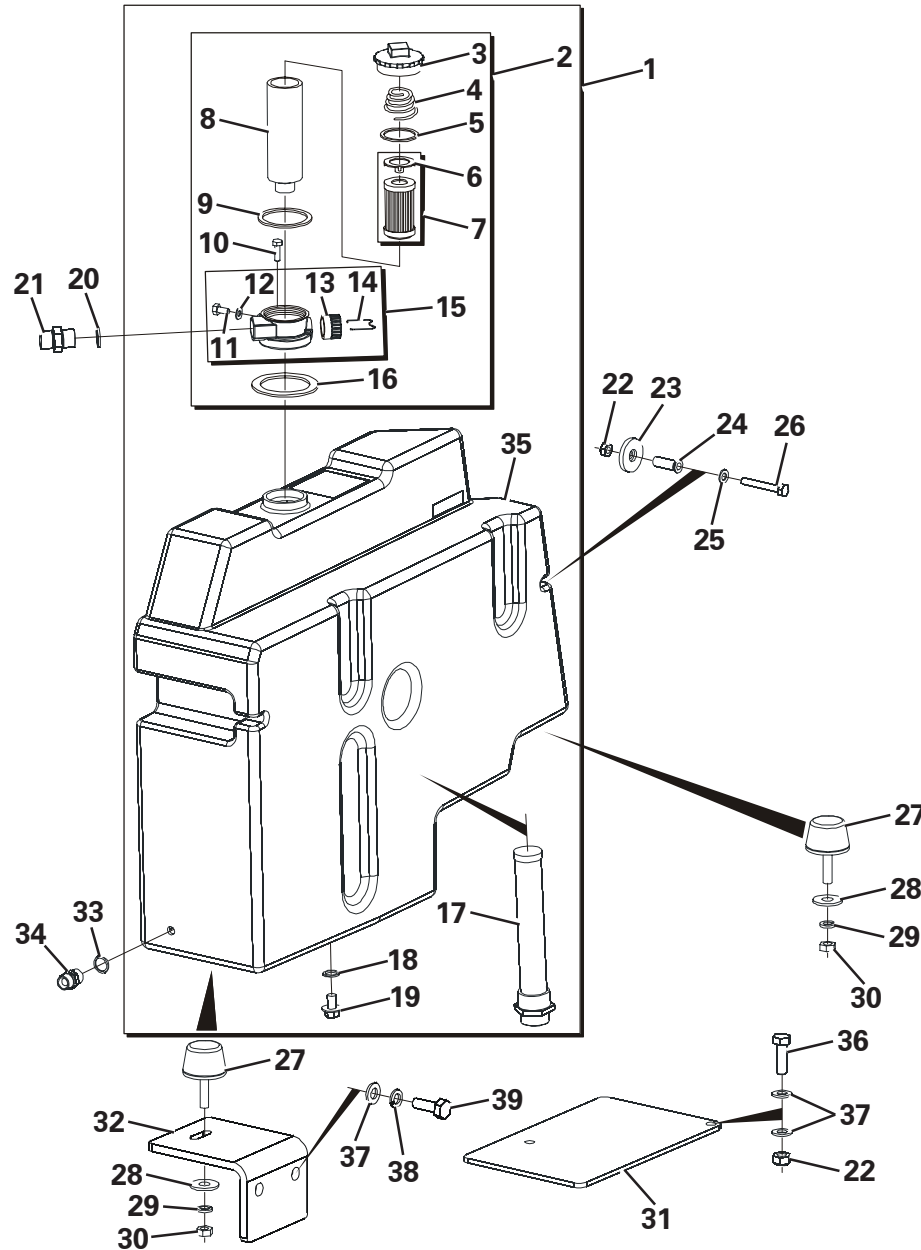
HYDRAULIC TANK ASSEMBLY



Item	Part No.	Description	Qty	U/M
1	T102021	HYDRAULIC TANK	1.0	EA
2	T52287	RETURN FILTER	1.0	EA
3	T52624	CAP	1.0	EA
4	T52625	SPRING	1.0	EA
5	T52626	SEAL	1.0	EA
6	T52627	FILTER CLIP	1.0	EA
7	T52286	HYDRAULIC ELEMENT	1.0	EA
8	T52628	LOWER CASING	1.0	EA
9	T52629	SEAL	1.0	EA
10	T52545	BOLT	1.0	EA
11	T52630	PLUG	1.0	EA
12	T52631	WASHER	1.0	EA
13	T52632	BREATHER CAP	1.0	EA
14	T52633	CLIP	1.0	EA
15	T52634	HEAD ASSEMBLY	1.0	EA
16	T52635	SEAL	1.0	EA
17	T102020	SUCTION STRAINER	1.0	EA
18	T52588	FIBRE WASHER	1.0	EA
19	T52282	DRAIN PLUG	1.0	EA
20	T5594	DOWTY WASHER	1.0	EA

Hydraulic Tank Assembly - 9 Tonne

HYDRAULIC TANK ASSEMBLY

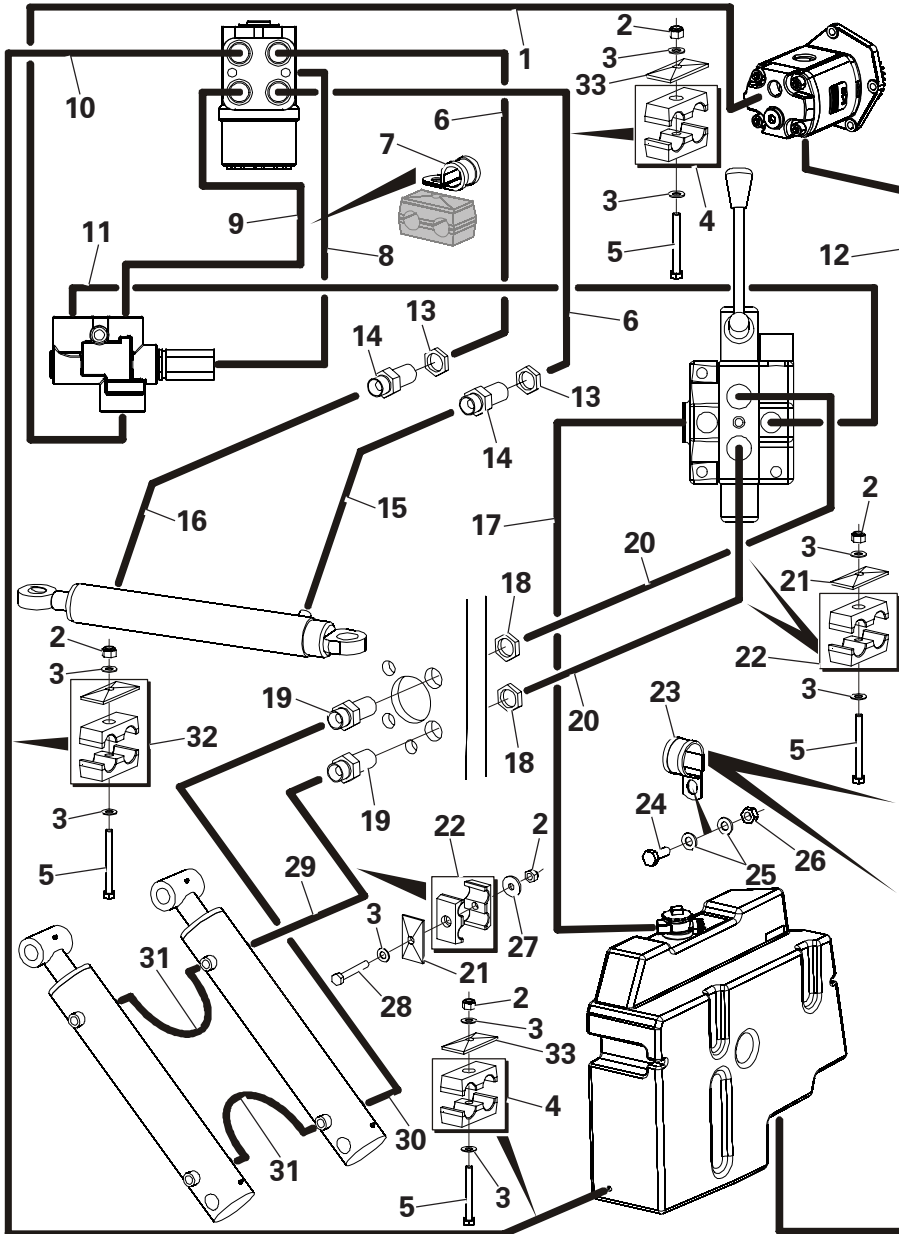


Item	Part No.	Description	Qty	U/M
21	T8014	ADAPTOR	1.0	EA
22*	T13064	PHILIDAS NUT	4.0	EA
23	T100323	RUBBER BACKED WASHER	2.0	EA
24	T100372	TANK SPACER	2.0	EA
25	T10734	HEAVY DUTY WASHER	1.0	EA
26	T17963	BOLT	2.0	EA
27	T100214	RUBBER BUFFER	2.0	EA
28	T9345	HEAVY DUTY WASHER	2.0	EA
29	T12972	SPRING WASHER	2.0	EA
30	T9775	NUT	2.0	EA
31*	T101023	TANK GUARD	1.0	EA
32	T102699	TANK SUPPORT GUARD	1.0	EA
33	T5596	DOWTY WASHER	1.0	EA
34	T13936	ADAPTOR	1.0	EA
35	T52285	HYDRAULIC TANK (PLASTIC)	1.0	EA
36*	T16505	SET SCREW	2.0	EA
37*	T15819	WASHER	6.0	EA
38	T13362	SPRING WASHER	2.0	EA
39	T20618	SET SCREW	2.0	EA

Hydraulic Tank Assembly - 9 Tonne

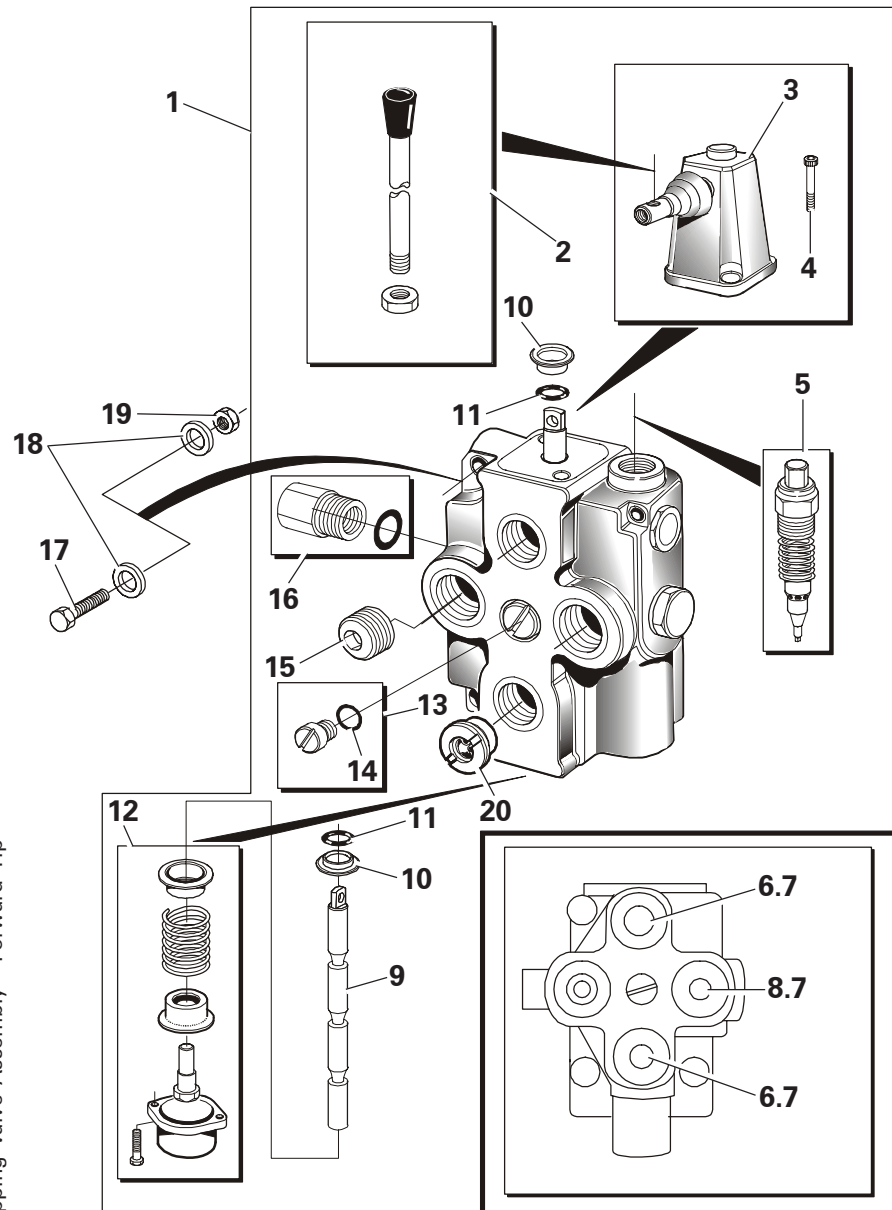
HYDRAULIC CIRCUIT

Item	Part No.	Description	Qty	U/M
1	T102584	HYD HOSE	1.0	EA
2*	T13457	NYLOC NUT	6.0	EA
3*	T12973	WASHER	10.0	EA
4*	T20412	PIPE CLAMP	2.0	EA
5*	T102422	BOLT	5.0	EA
6	T102589	HYD HOSE	2.0	EA
7	T11452	P CLIP	1.0	EA
8	T102587	HYD HOSE	1.0	EA
9	T102586	HYD HOSE	1.0	EA
10	T102588	HYD HOSE	1.0	EA
11	T102585	HYD HOSE	1.0	EA
12	T102086	SUCTION HOSE	1.0	EA
13	T52553	LOCKNUT	2.0	EA
14	T13523	ADAPTOR	2.0	EA
15	T100183	HOSE	1.0	EA
16	T100184	HOSE	1.0	EA
17	T100180	HOSE	1.0	EA
18	T52552	LOCKNUT	2.0	EA
19	T100392	ADAPTOR	2.0	EA
20	T100181	HOSE	2.0	EA
21	T102170	CLAMP COVER PLATE	3.0	EA
22	T102406	CLAMP	3.0	EA
23	T102178	`P` CLIP	2.0	EA
24	T20618	SET SCREW	2.0	EA
25	T10734	HEAVY DUTY WASHER	4.0	EA
26	T13064	PHILIDAS NUT	2.0	EA
27	T9345	HEAVY DUTY WASHER	1.0	EA
28	T15326	BOLT	1.0	EA
29	T102661	HOSE	1.0	EA
30	T102663	HOSE	1.0	EA
31	T100193	HOSE	2.0	EA
32	T101042	CLAMP	1.0	EA
33*	T101901	CLAMP COVER	2.0	EA



Hydraulic Circuit - Forward Tip 9T

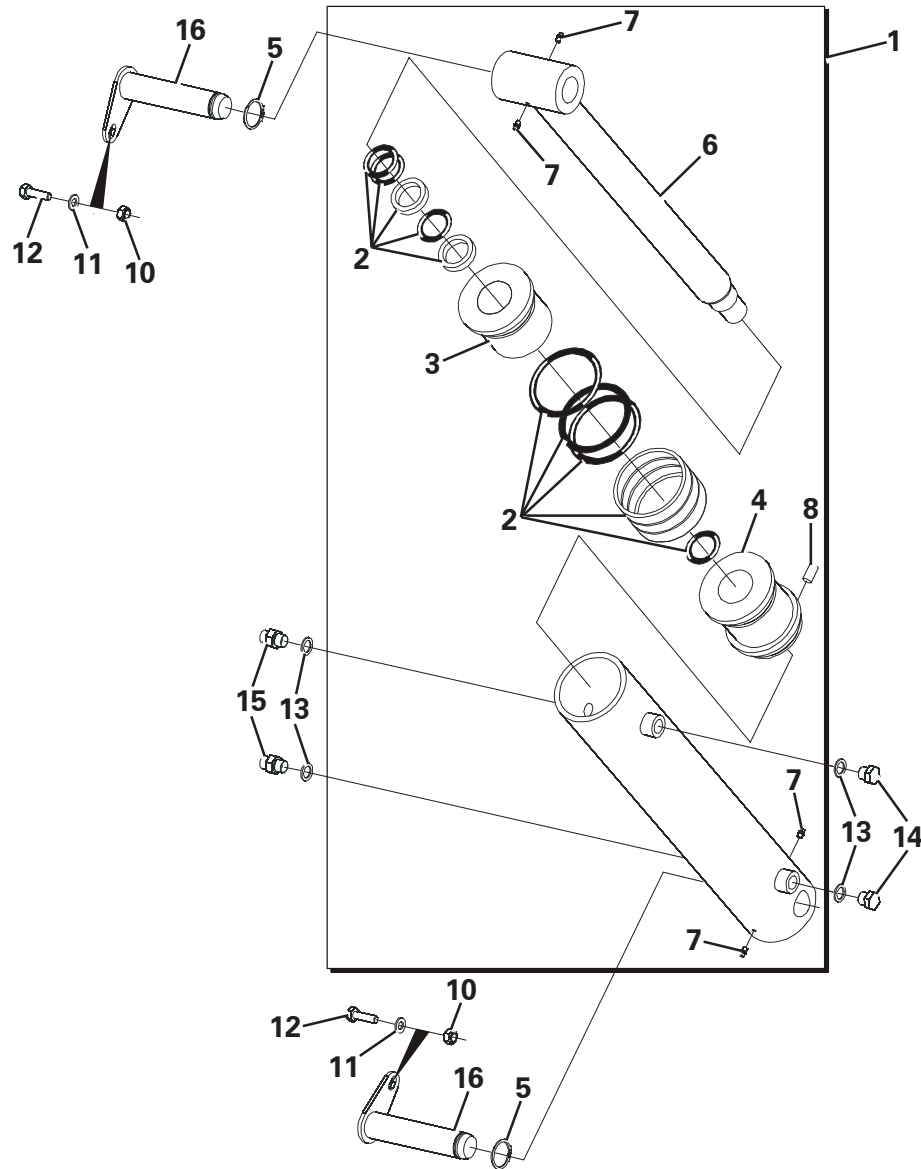
TIPPING VALVE ASSEMBLY



Item	Part No.	Description	Qty	U/M
1	T100013	TIPPING VALVE ASSY	1.0	EA
2	T53415	LEVER ASSEMBLY	1.0	EA
3	T52711	LEVER BASE	1.0	EA
4	T52712	SOCKET SCREW	2.0	EA
5	T52674	VALVE	1.0	EA
6	T52683	ADAPTOR	2.0	EA
7	T5596	HYDRAULIC SEAL	3.0	EA
8	T100465	ADAPTOR	1.0	EA
9	T52714	SPOOL	1.0	EA
10	T52713	FLANGED WASHER	2.0	EA
11	T52677	SEAL	2.0	EA
12	T52678	CAP ASSEMBLY	1.0	EA
13	T52715	CHECK VALVE ASSEMBLY	1.0	EA
14	T53416	SEAL	1.0	EA
15	T52682	PLUG	1.0	EA
16	T52679	ADAPTOR	1.0	EA
17	T16501	BOLT	3.0	EA
18	T15819	PLAIN WASHER	6.0	EA
19	T13064	NUT	3.0	EA
20	T100968	RESTRICTOR	1.0	EA

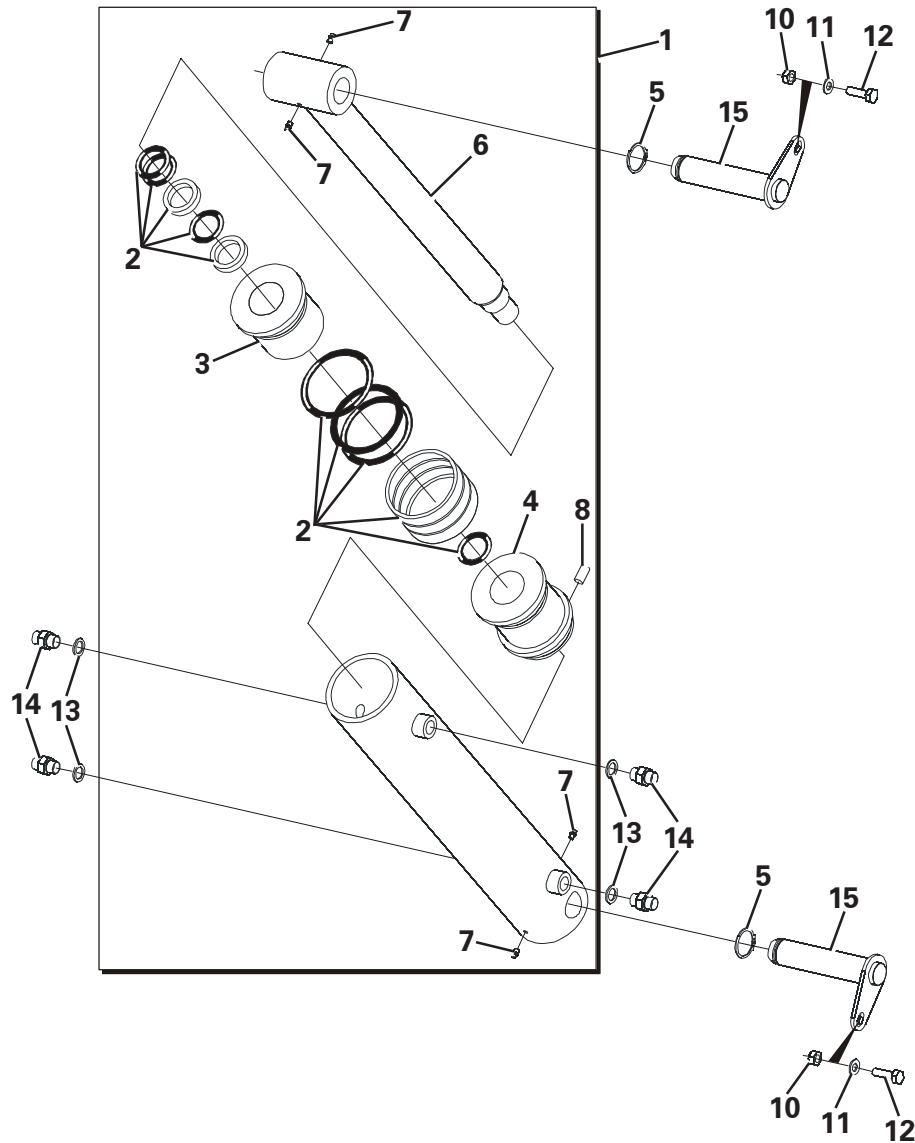
Tipping Valve Assembly - Forward Tip

TIPPING RAM ASSEMBLY - LH



Item	Part No.	Description	Qty	U/M
1*	T102879	TIPPING RAM	1.0	EA
2*	T53452	SEAL KIT	1.0	EA
3*	T53453	GLAND	1.0	EA
4*	T53454	PISTON HEAD	1.0	EA
5	T100098	CIRCLIP	2.0	EA
6*	T102879	ROD ASSEMBLY	1.0	EA
7	T53445	GREASE NIPPLE	4.0	EA
8	T53807	SET SCREW	1.0	EA
9*	DELETED			
10	T13064	PHILIDAS NUT	2.0	EA
11	T10734	HEAVY DUTY WASHER	2.0	EA
12	T16505	SET SCREW	2.0	EA
13	T5637	DOWTY WASHER	4.0	EA
14	T13907	BLANKING PLUG	2.0	EA
15	T13606	ADAPTOR	2.0	EA
16*	T102765	PIVOT PIN	2.0	EA

TIPPING RAM ASSEMBLY - RH

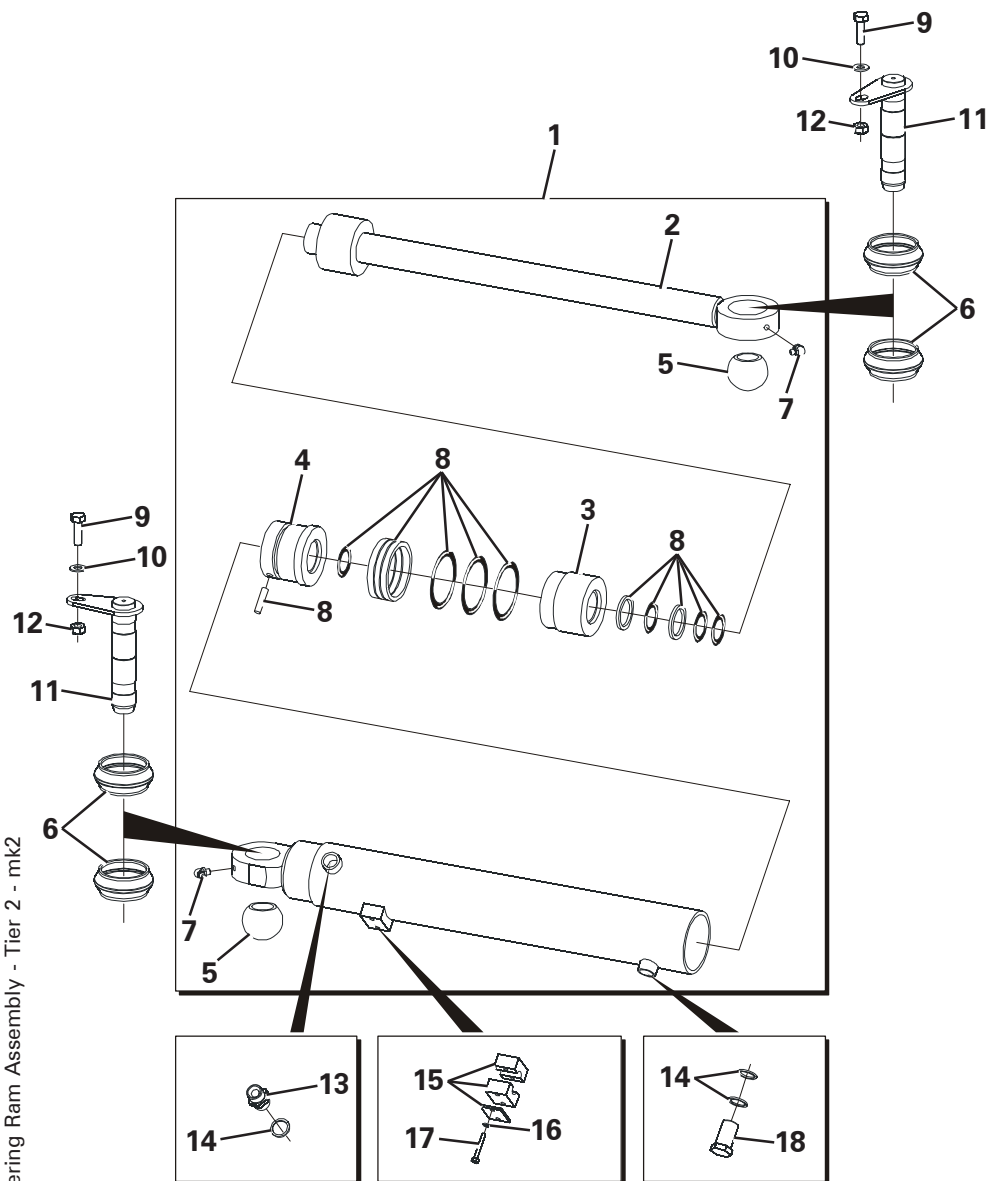


Item	Part No.	Description	Qty	U/M
1*	T102879	TIPPING RAM	1.0	EA
2*	T53452	SEAL KIT	1.0	EA
3*	T53453	GLAND	1.0	EA
4*	T53454	PISTON HEAD	1.0	EA
5	T100098	CIRCLIP	2.0	EA
6*	T102879	ROD ASSEMBLY	1.0	EA
7	T53445	GREASE NIPPLE	4.0	EA
8	T53807	SET SCREW	1.0	EA
9*	DELETED			
10	T13064	PHILIDAS NUT	2.0	EA
11	T10734	HEAVY DUTY WASHER	2.0	EA
12	T16505	SET SCREW	2.0	EA
13	T5637	DOWTY WASHER	4.0	EA
14	T13606	ADAPTOR	4.0	EA
15*	T102765	PIVOT PIN	1.0	EA

Tipping Ram RH Assembly - Tier 2 - mk2

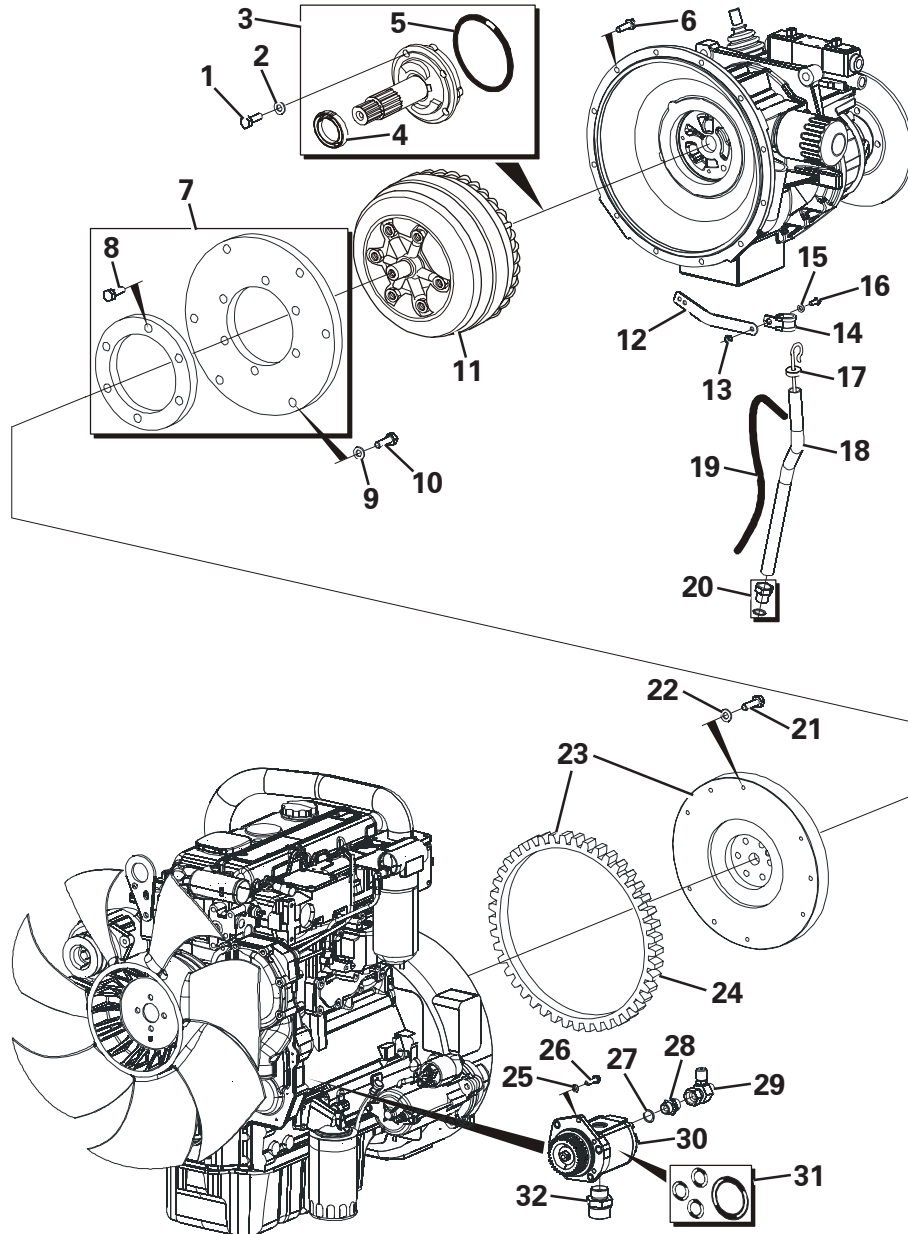
STEERING RAM ASSEMBLY

Item	Part No.	Description	Qty	U/M
1	T102158	STEERING RAM	1.0	EA
2	T53446	ROD ASSY	1.0	EA
3	T53449	GLAND	1.0	EA
4	T53450	PISTON HEAD	1.0	EA
5	T53447	SPHERICAL BEARING	2.0	EA
6	T101038	RAM DUST SEAL	4.0	EA
7	T53406	GREASE NIPPLE	2.0	EA
8	T53448	SEAL KIT	1.0	EA
9	T16505	SET SCREW	2.0	EA
10	T10734	HEAVY DUTY WASHER	2.0	EA
11	T100361	PIVOT PIN	2.0	EA
12	T13064	PHILIDAS NUT	2.0	EA
13	T13936	ADAPTOR	1.0	EA
14	T5596	DOWTY WASHER	3.0	EA
15	T100553	PIPE CLAMP	1.0	EA
16	T10418	SHAKEPROOF WASHER	2.0	EA
17	T17155	BOLT	2.0	EA
18	T52641	BANJO BOLT	1.0	EA



Steering Ram Assembly - Tier 2 - mk2

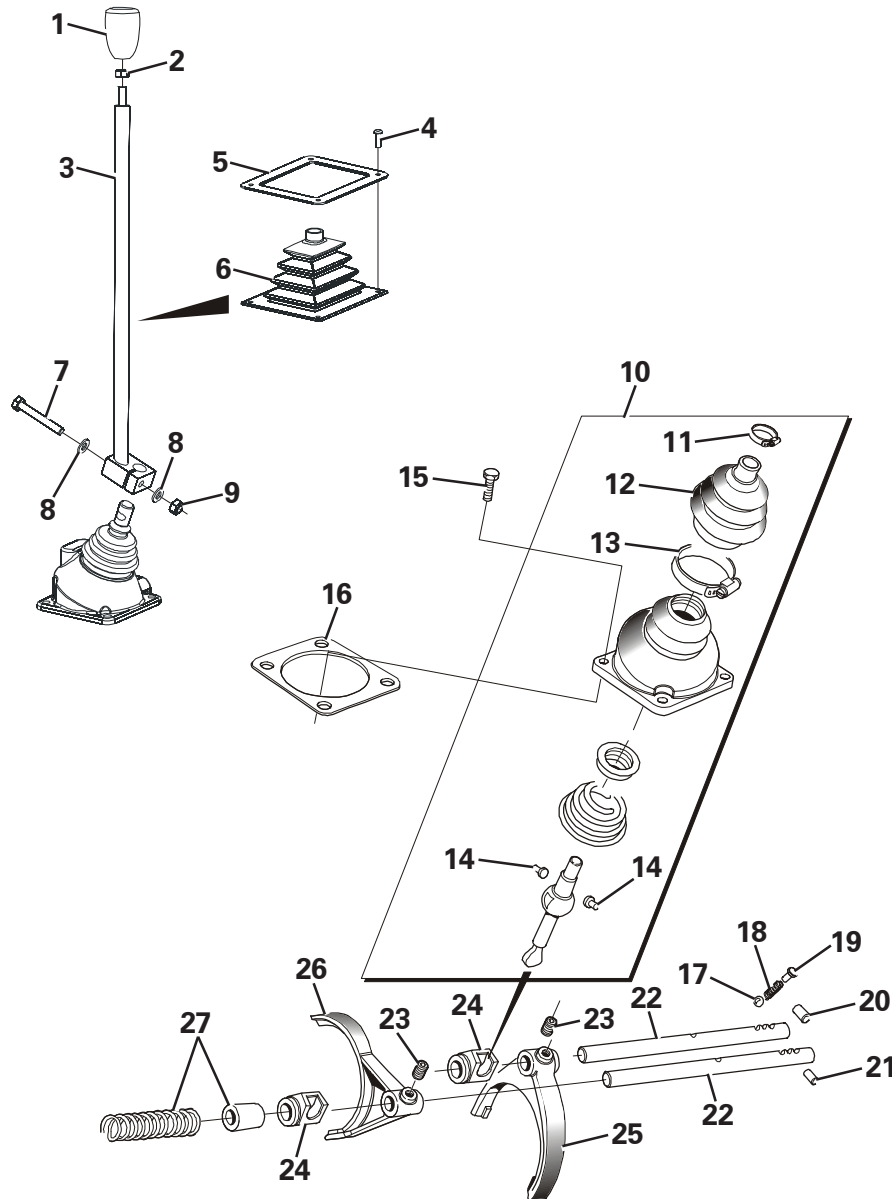
TRANSMISSION DRIVE & HYD PUMP



Item	Part No.	Description	Qty	U/M
1	T1960	BOLT	4.0	EA
2	T1959	SEALING WASHER	4.0	EA
3	T2586	OIL PUMP	1.0	EA
4	T52232	OIL SEAL	1.0	EA
5	T2584	RING-SEAL	1.0	EA
6	T16505	SET SCREW	12.0	EA
7	T2631	DRIVE PLATE KIT	1.0	EA
8	T50523	SET SCREW	6.0	EA
9	T50524	WASHER	6.0	EA
10	T50352	BOLT	6.0	EA
11	T2632	TORQUE CONVERTER	1.0	EA
12	T102050	FILLER TUBE SUPPORT	1.0	EA
13	T13457	NYLOC NUT	1.0	EA
14	T9914	P CLIP	1.0	EA
15	T12973	WASHER	1.0	EA
16	T7465	SET SCREW	1.0	EA
17	T13333	GEARBOX DIPSTICK	1.0	EA
18	T100412	GEARBOX FILLER TUBE	1.0	EA
19	T100791	BREATHER TUBE	1.0	EA
20	T2619	NUT C/W SEAL	1.0	EA
21	T50360	BOLT	10.0	EA
22	T52638	WASHER	10.0	EA
23	T52637	FLYWHEEL ASSEMBLY	1.0	EA
24	T52636	STARTER RING	1.0	EA
25	T12972	SPRING WASHER	3.0	EA
26	T14152	BOLT	3.0	EA
27	T5596	DOWTY WASHER	1.0	EA
28	T100465	ADAPTOR	1.0	EA
29	T100516	HYDRAULIC TEST POINT	1.0	EA
30	T102024	GEAR PUMP	1.0	EA
31	T53434	SEAL KIT	1.0	EA
32	T102090	PUMP INLET ADAPTOR	1.0	EA

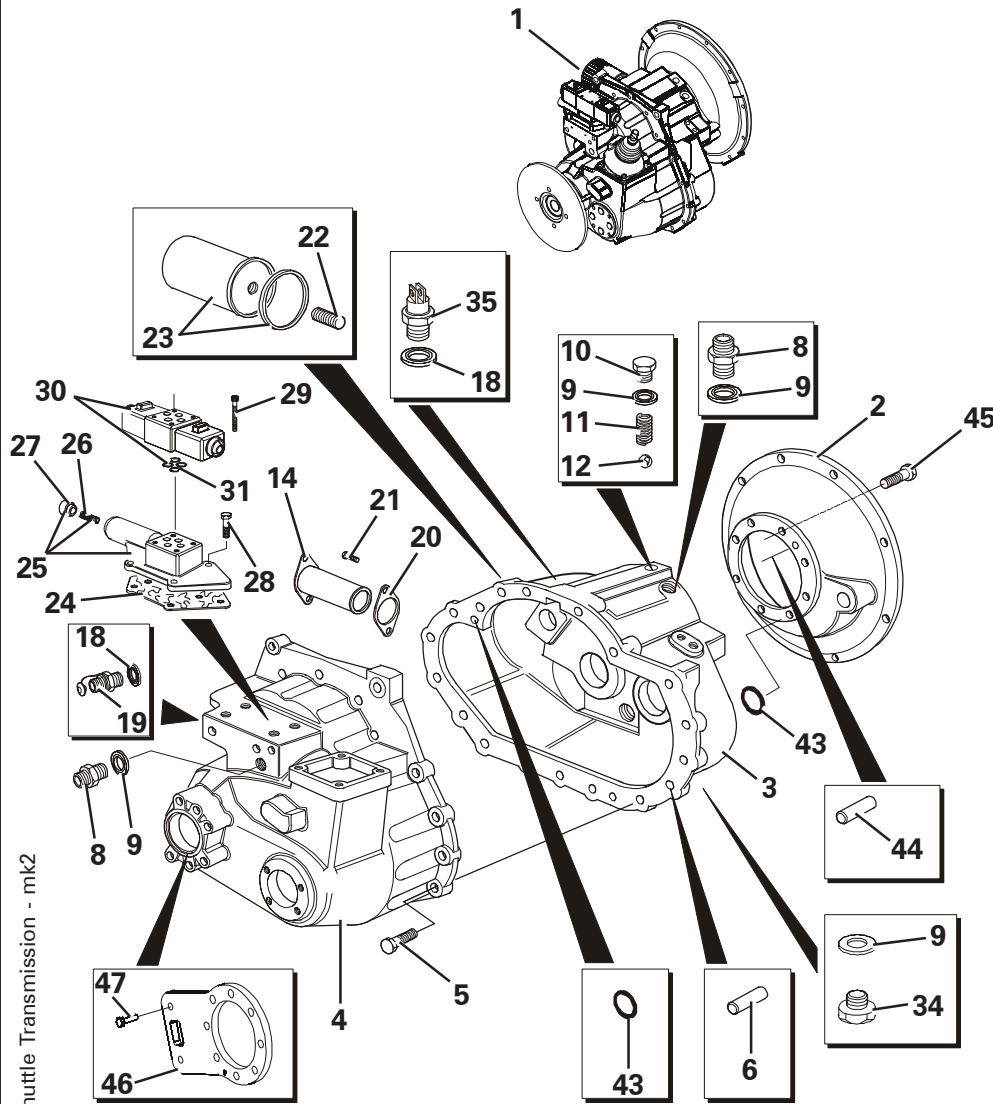
Transmission Drive and Hyd Pump - Powershuttle - Tier 2

TRANSMISSION - GEAR CHANGE



Item	Part No.	Description	Qty	U/M
1	T3694	BLACK MOULDED KNOB	1.0	EA
2	T12509	NUT	1.0	EA
3	T100280	GEAR CHANGE LEVER	1.0	EA
4	T100315	DOME HEAD SCREW	4.0	EA
5	T100456	LEVER GAITER RETAINING PLATE	1.0	EA
6	T100288	GEAR LEVER GAITER	1.0	EA
7	T16424	BOLT	1.0	EA
8	T15819	WASHER	2.0	EA
9	T13064	PHILIDAS NUT	1.0	EA
10	T2534	GEAR LEVER ASSEMBLY	1.0	EA
11	T2533	CLIP	1.0	EA
12	T2532	GAITER	1.0	EA
13	T2531	CLIP	1.0	EA
14	T50252	GEAR LEVER RETAINING PIN	2.0	EA
15	T50330	BOLT	4.0	EA
16	T50324	GASKET	1.0	EA
17	T2520	BALL	2.0	EA
18	T50388	DETENT SPRING	2.0	EA
19	T50505	DENTENT PLUG	2.0	EA
20	T2522	ROLLER	1.0	EA
21	T50329	PLUG	1.0	EA
22	T51878	SELECTOR SHAFT	2.0	EA
23	T50506	SCREW	4.0	EA
24	T50327	SELECTOR BLOCK	2.0	EA
25	T50325	SELECTOR FORK	1.0	EA
26	T50328	SELECTOR FORK	1.0	EA
27	T52199	SPRING	1.0	EA

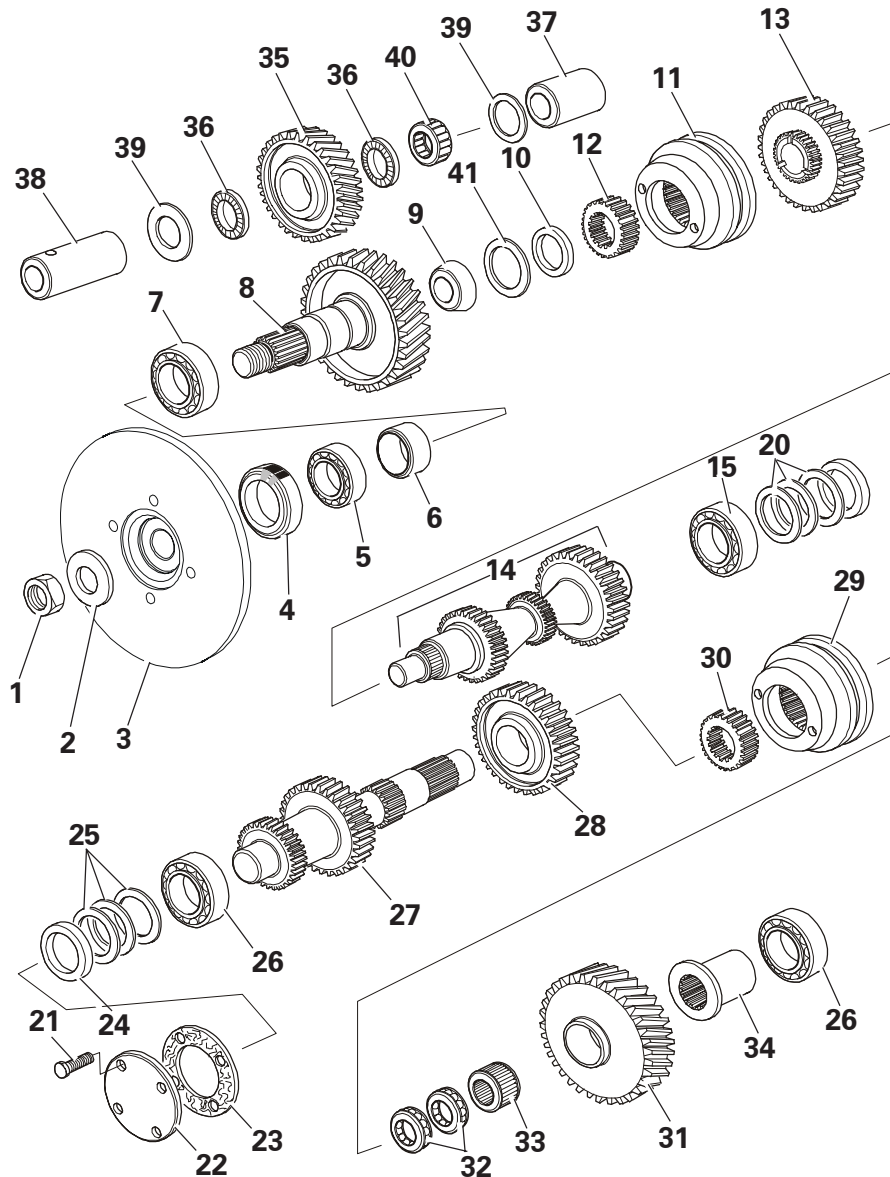
TRANSMISSION - EXTERNAL



Item	Part No.	Description	Qty	U/M
1	T102462	GEARBOX	1.0	EA
2	T52642	FLYWHEEL HOUSING	1.0	EA
3	T52088	FRONT CASING	1.0	EA
4	T52405	CASE	1.0	EA
5	T51691	SET SCREW	18.0	EA
6	T50339	DOWEL	2.0	EA
8	T1928	ADAPTOR	2.0	EA
9	T2613	SEAL	5.0	EA
10	T2612	PLUG	1.0	EA
11	T2611	SPRING	1.0	EA
12	T2610	BALL	2.0	EA
14	T2608	SUCTION STRAINER	1.0	EA
18	T2604	SEAL	2.0	EA
19	T50511	PRESSURE POINT	1.0	EA
20	T2602	GASKET	1.0	EA
21	T50344	BOLT	2.0	EA
22	T51630	FILTER ADAPTOR	1.0	EA
23	T52450	TRANSMISSION OIL FILTER	1.0	EA
24	T2599	GASKET	1.0	EA
25	T2598	ADAPTOR BLOCK ASSEMBLY	1.0	EA
26	T51607	SPRING	1.0	EA
27	T51606	PLUG	1.0	EA
28	T50345	BOLT	4.0	EA
29	T50570	CAP SCREW	4.0	EA
30	T50512	SOLENOID VALVE	1.0	EA
31	T51877	SEAL KIT	1.0	EA
34	T2612	PLUG	1.0	EA
35	T50349	OIL PRESSURE SWITCH	1.0	EA
43	T1931	'O' RING	2.0	EA
44	T2615	DOWEL	2.0	EA
45	T50593	SCREW	12.0	EA
46	T102381	CALIPER MTG PLATE	1.0	EA
47	T2256	BOLT	7.0	EA

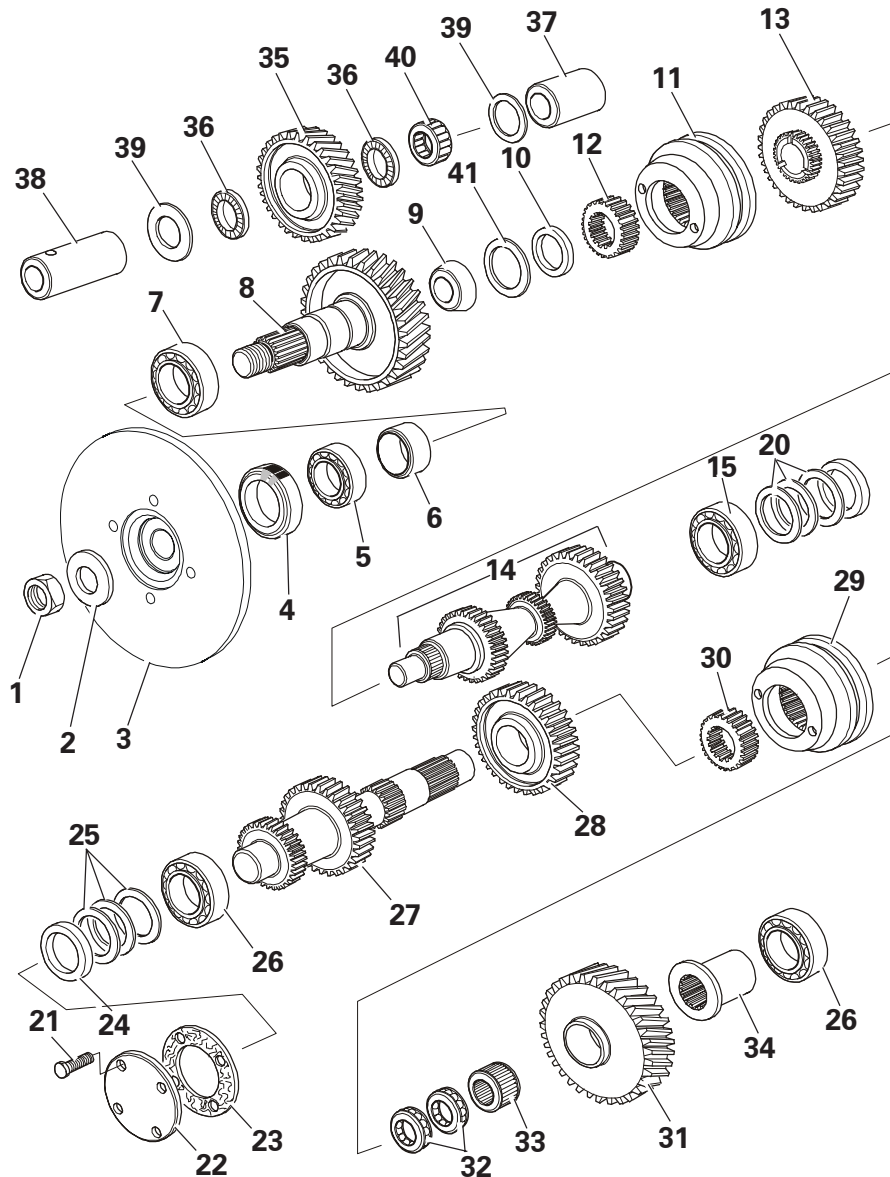
Powershuttle Transmission - mk2

TRANSMISSION - INTERNAL



Item	Part No.	Description	Qty	U/M
1	T50662	STAKE NUT	1.0	EA
2	T2581	WASHER	1.0	EA
3	T50663	FLANGE	1.0	EA
4	T2579	OIL SEAL	1.0	EA
5	T50515	BEARING	1.0	EA
6	T51577	SPACER KIT	1.0	EA
7	T50393	BEARING	1.0	EA
8	T2575	GEAR	1.0	EA
9	T50516	PILOT BEARING	1.0	EA
10	T51692	SPACER	1.0	EA
11	T2572	SYNCHRONISER ASSEMBLY	1.0	EA
12	T2571	SLEEVE	1.0	EA
13	T2570	GEAR	1.0	EA
14	T2569	MAINSHAFT	1.0	EA
15	T2568	BEARING	1.0	EA
20	T1705	SHIM KIT	1.0	EA
21	T50517	BOLT	4.0	EA
22	T52202	END COVER	1.0	EA
23	T51947	GASKET	1.0	EA

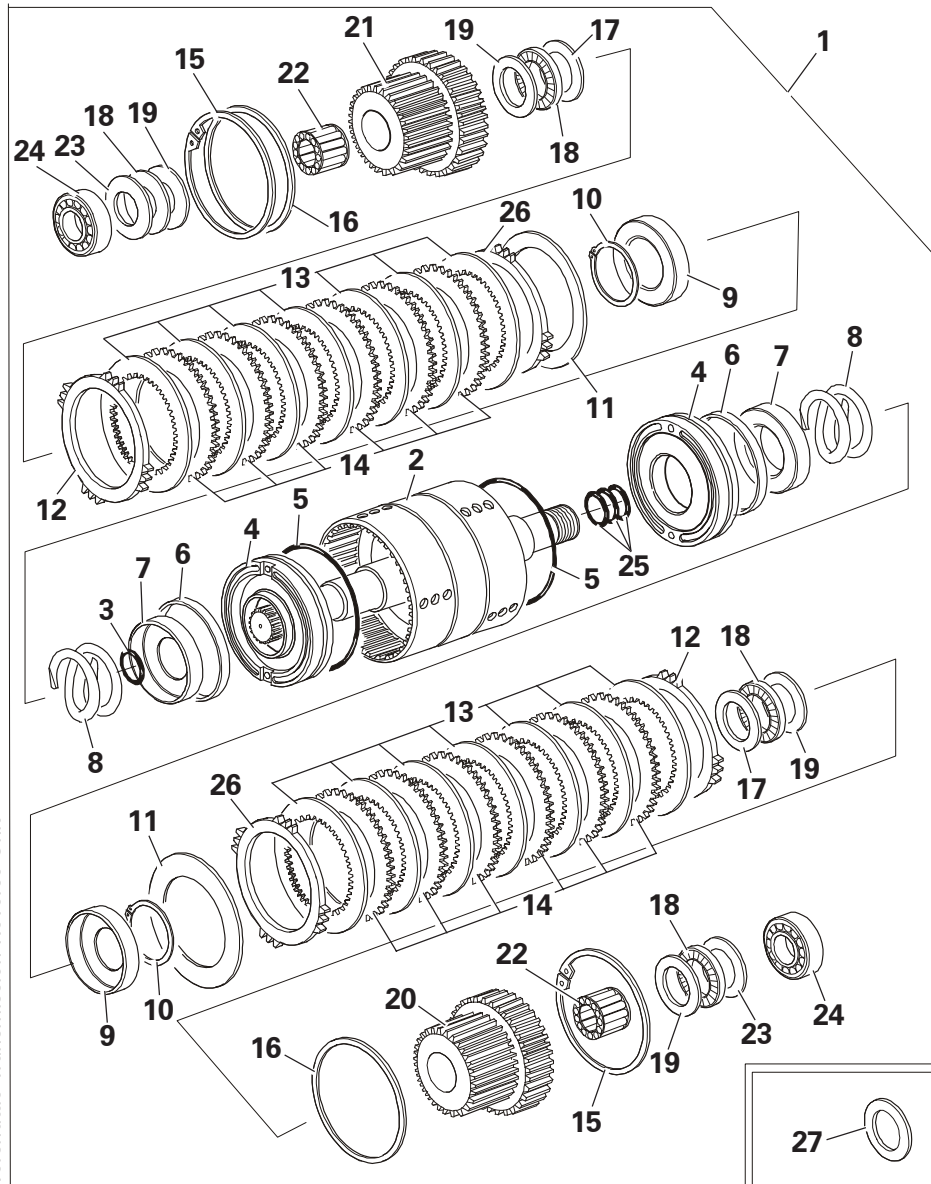
TRANSMISSION - INTERNAL



Item	Part No.	Description	Qty	U/M
24	T51689	SPACER	1.0	EA
25	T51690	SHIM KIT	1.0	EA
26	T51688	TAPER ROLLER BEARING	2.0	EA
27	T2548	LAYSHAFT	1.0	EA
28	T2547	GEAR	1.0	EA
29	T2572	SYNCHRONISER ASSEMBLY	1.0	EA
30	T2545	SLEEVE	1.0	EA
31	T2544	GEAR	1.0	EA
32	T2543	BEARING	2.0	EA
33	T2542	BEARING	1.0	EA
34	T2541	SPACER	1.0	EA
35	T50332	IDLER GEAR	1.0	EA
36	T50333	BEARING	2.0	EA
37	T50334	SPACER	1.0	EA
38	T50392	IDLER SHAFT	1.0	EA
39	T50335	WASHER	4.0	EA
40	T2535	BEARING	1.0	EA
41	T1935	SPACER	1.0	EA

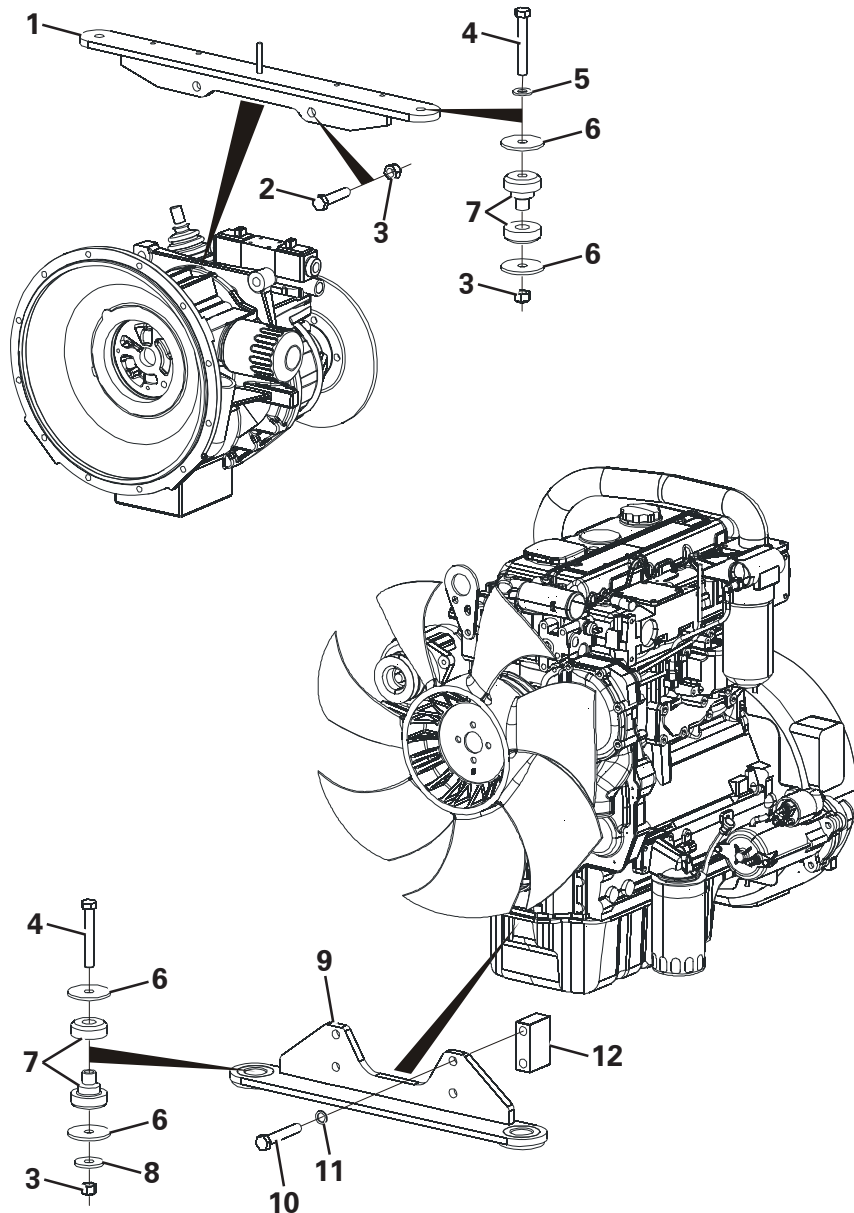
TRANSMISSION - REVERSE UNIT

Item	Part No.	Description	Qty	U/M
1	T51592	REVERSER ASSY	1.0	EA
2	T51954	CLUTCH HOUSING	1.0	EA
3	T1725	'O' RING	2.0	EA
4	T51950	PISTON	2.0	EA
5	T2498	O RING	2.0	EA
6	T50316	LINER	2.0	EA
7	T1722	OIL BAFFLE	2.0	EA
8	T1711	SPRING	2.0	EA
9	T1723	SPRING RETAINER	2.0	EA
10	T1710	CIRCLIP	2.0	EA
11	T51951	DISC SPRING	2.0	EA
12	T50318	PRESSURE PLATE	2.0	EA
13	T2503	FRICITION PLATE	12.0	EA
14	T1720	COUNTER PLATE	10.0	EA
15	T1709	CIRCLIP	2.0	EA
16	T50317	SHIM	A/R	EA
17	T52152	THRUST WASHER	2.0	EA
18	T2513	THRUST BEARING	4.0	EA
19	T2512	THRUST WASHER	4.0	EA
20	T1715	GEAR & PLATE ASSY	1.0	EA
21	T1716	GEAR & PLATE ASSY	1.0	EA
22	T2510	BEARING	2.0	EA
23	T2514	THRUST WASHER	2.0	EA
24	T51683	TAPER ROLLER BEARING	2.0	EA
25	T2516	SEAL RING	4.0	EA
26	T52252	PRESSURE PLATE	2.0	EA
27	T51685	SHIM KIT	1.0	EA



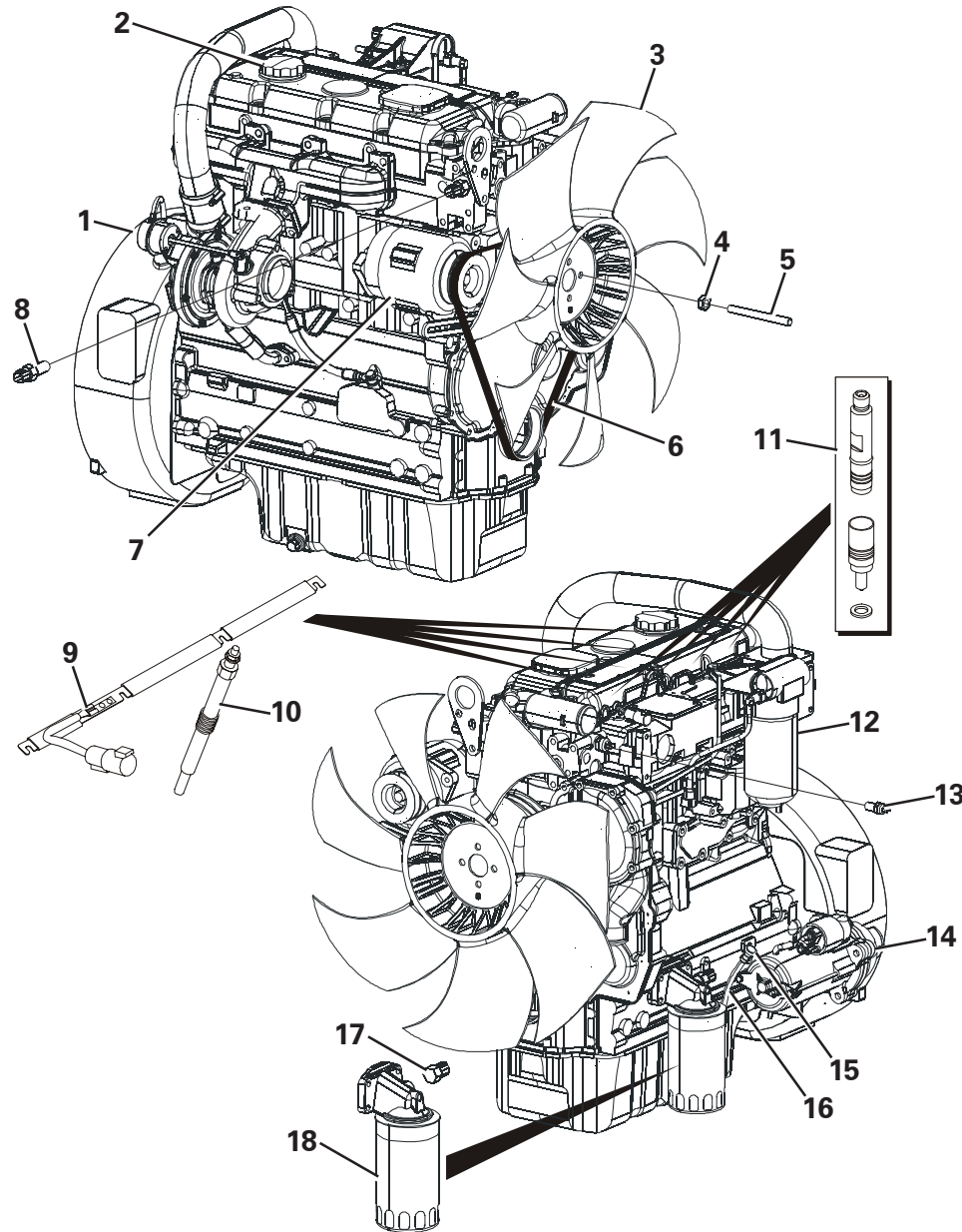
Powershuttle Transmission Reverse Unit

ENGINE AND GEARBOX MOUNTINGS



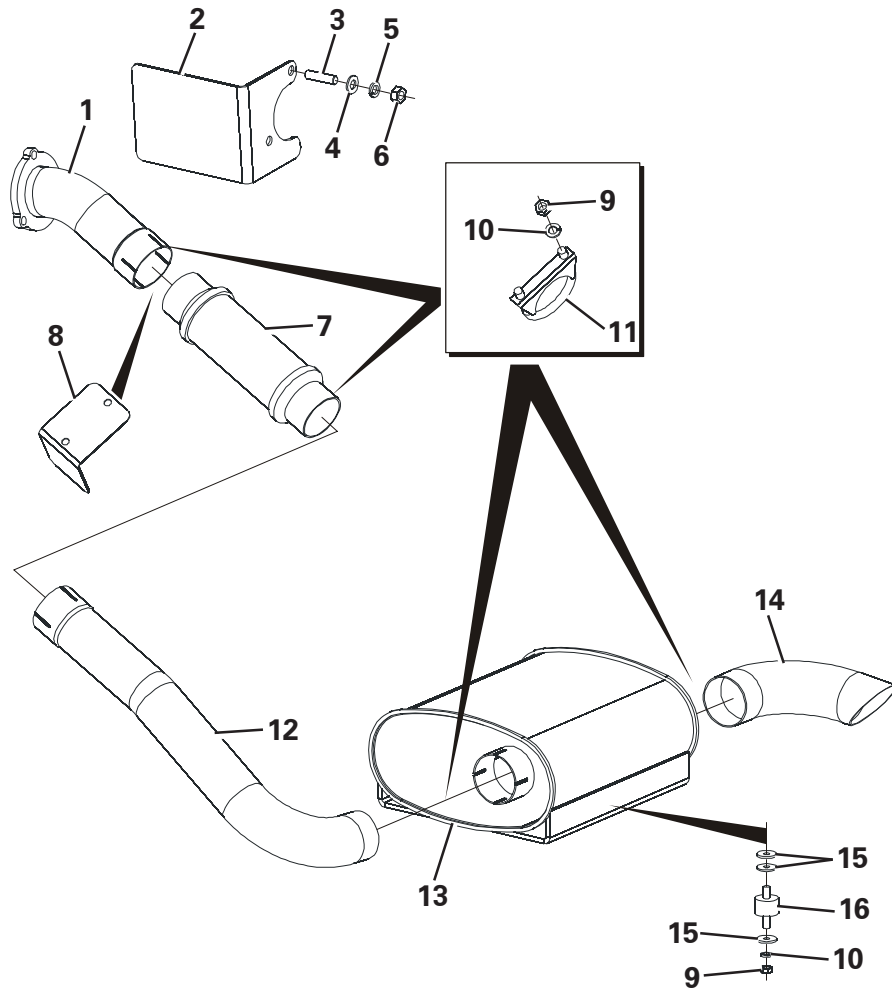
Item	Part No.	Description	Qty	U/M
1	T100114	GEARBOX MOUNTING	1.0	EA
2	T14908	BOLT	2.0	EA
3	T14910	PHILIDAS NUT	6.0	EA
4	T20615	BOLT	4.0	EA
5	T100867	WASHER	2.0	EA
6	T100303	PAD SPACER	8.0	EA
7	T100002	ENGINE MOUNTING	4.0	EA
8	T100815	HEAVY DUTY WASHER	2.0	EA
9	T101805	ENGINE MOUNTING	1.0	EA
10	T100352	BOLT	4.0	EA
11	T20699	SCHNORR WASHER	4.0	EA
12	T101806	SPACER BLOCK	2.0	EA

ENGINE ACCESSORIES



Item	Part No.	Description	Qty	U/M
1	T102027	ENGINE	1.0	EA
2	T52575	OIL FILLER CAP	1.0	EA
3	T53423	FAN	1.0	EA
4	T52569	NUT	4.0	EA
5	T53424	STUD	4.0	EA
6	T53407	FANBELT	1.0	EA
7	T53425	ALTERNATOR	1.0	EA
8	T53429	WATER TEMPERATURE SENDER	1.0	EA
9	T53427	BAR	1.0	EA
10	T53426	GLOW PLUG	1.0	EA
11	T53437	ATOMISER	4.0	EA
12	T53279	FUEL FILTER	1.0	EA
13	T53418	SENDER	1.0	EA
14*	T53890	STARTER MOTOR	1.0	EA
15	T53420	DIPSTICK	1.0	EA
16	T53421	DIPSTICK TUBE	1.0	EA
17	T53428	OIL PRESSURE SWITCH	1.0	EA
18	T53422	OIL FILTER	1.0	EA

EXHAUST SYSTEM - TURBO

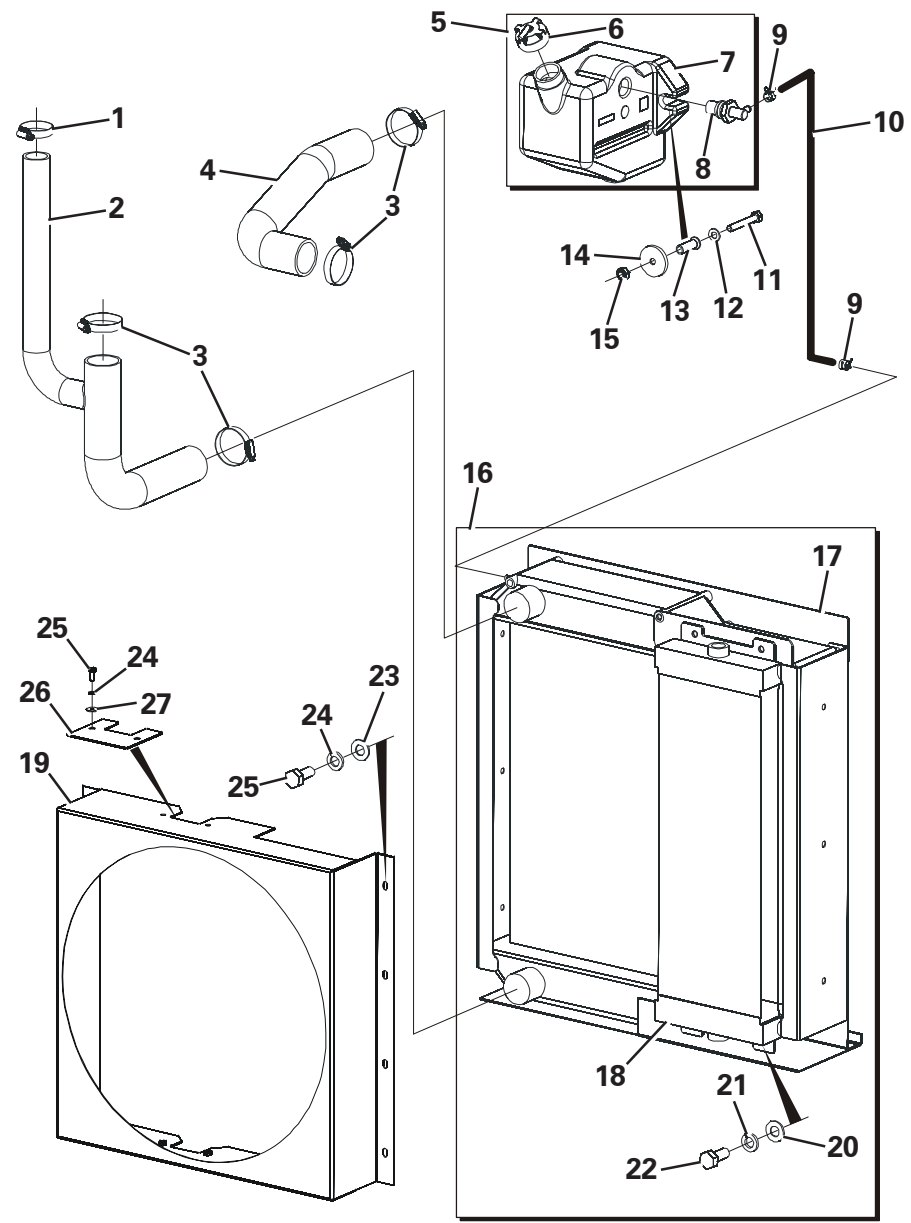


Item	Part No.	Description	Qty	U/M
1	T101920	EXHAUST PIPE TURBO	1.0	EA
2	T102060	TURBO GUARD	1.0	EA
3	T102180	STUD TURBO EXHAUST	3.0	EA
4	T10734	HEAVY DUTY WASHER	3.0	EA
5	T13362	SPRING WASHER	3.0	EA
6	T12509	NUT	3.0	EA
7	T100275	EXHAUST FLEXIBLE PIPE	1.0	EA
8*	T102174	EXHAUST HEAT SHIELD	1.0	EA
9	T9775	NUT	11.0	EA
10	T12972	SPRING WASHER	11.0	EA
11	T15482	EXHAUST CLAMP	4.0	EA
12	T101919	EXHAUST PIPE	1.0	EA
13	T102072	EXHAUST SILENCER	1.0	EA
14	T100057	EXHAUST TAILPIPE	1.0	EA
15	T9345	HEAVY DUTY WASHER	9.0	EA
16	T100796	RUBBER BUFFER	3.0	EA

RADIATOR & OIL COOLER

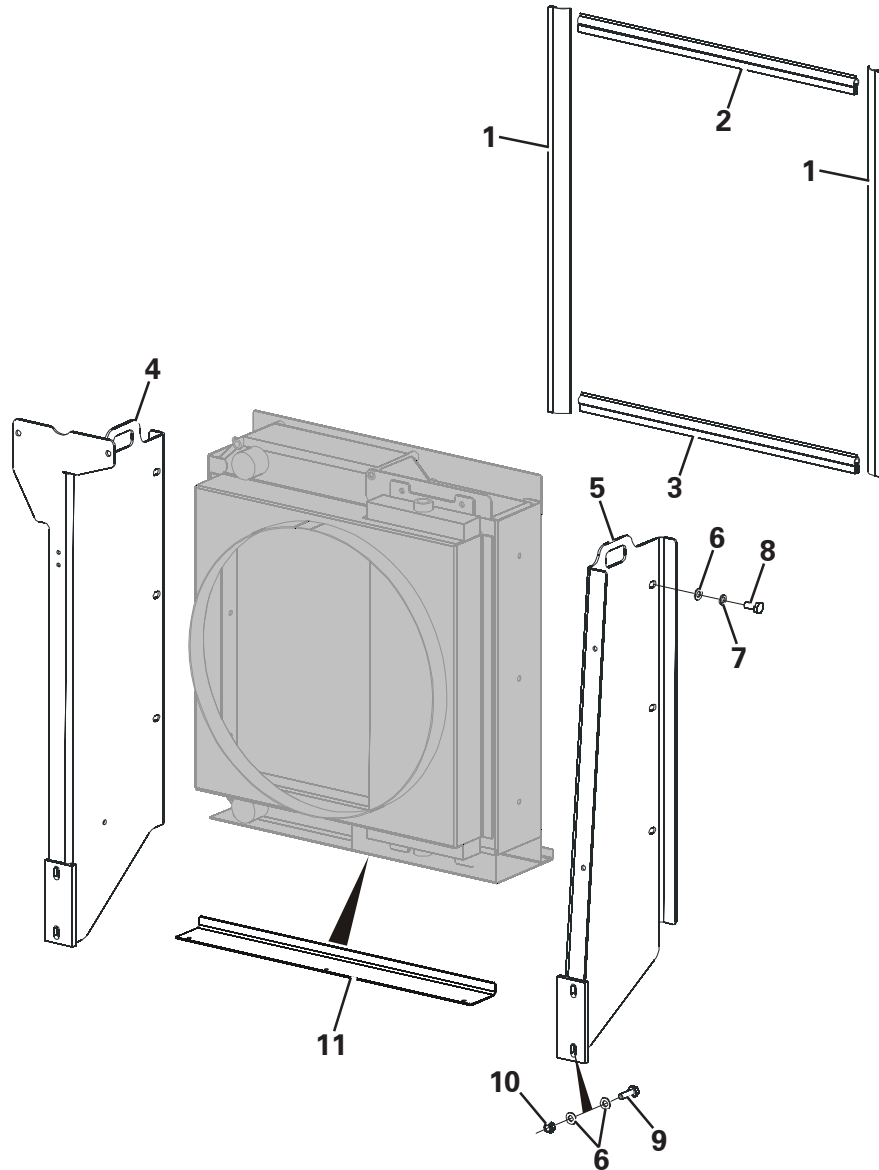
Item	Part No.	Description	Qty	U/M
1	T8549	JUBILEE CLIP	1.0	EA
2	T101822	BOTTOM RADIATOR HOSE	1.0	EA
3	T7540	JUBILEE CLIP	2.0	EA
4	T102004	TOP RADIATOR HOSE	1.0	EA
5	T102000	EXPANSION TANK ASSY	1.0	EA
6	T102097	EXPANSION TANK CAP	1.0	EA
7	T102098	EXPANSION TANK	1.0	EA
8	T102099	FUEL RETURN ELBOW	1.0	EA
9	T100421	SPRING BAND CLAMP	2.0	EA
10	T102173	RADIATOR OVERFLOW PIPE	1.0	EA
11	T17963	BOLT	2.0	EA
12	T15819	WASHER	2.0	EA
13	T100372	TANK SPACER	2.0	EA
14	T100323	RUBBER BACKED WASHER	2.0	EA
15	T13064	PHILIDAS NUT	2.0	EA
16	T102019	RADIATOR ASSY TURBO	1.0	EA
17	T53435	RADIATOR	1.0	EA
18	T53433	OIL COOLER	1.0	EA
19	T53431	COWL	1.0	EA
20	T12973	WASHER	4.0	EA
21	T12972	SPRING WASHER	4.0	EA
22	T7465	SET SCREW	4.0	EA
23	T13911	WASHER	8.0	EA
24*	T14837	SPRING WASHER	12.0	EA
25*	T10917	SET SCREW	12.0	EA
26*	T103202	BLANKING PLATE	2.0	EA
27*	T15830	HEAVY DUTY WASHER	4.0	EA

Radiator and Oil Cooler Assembly - Tier 2 mk2



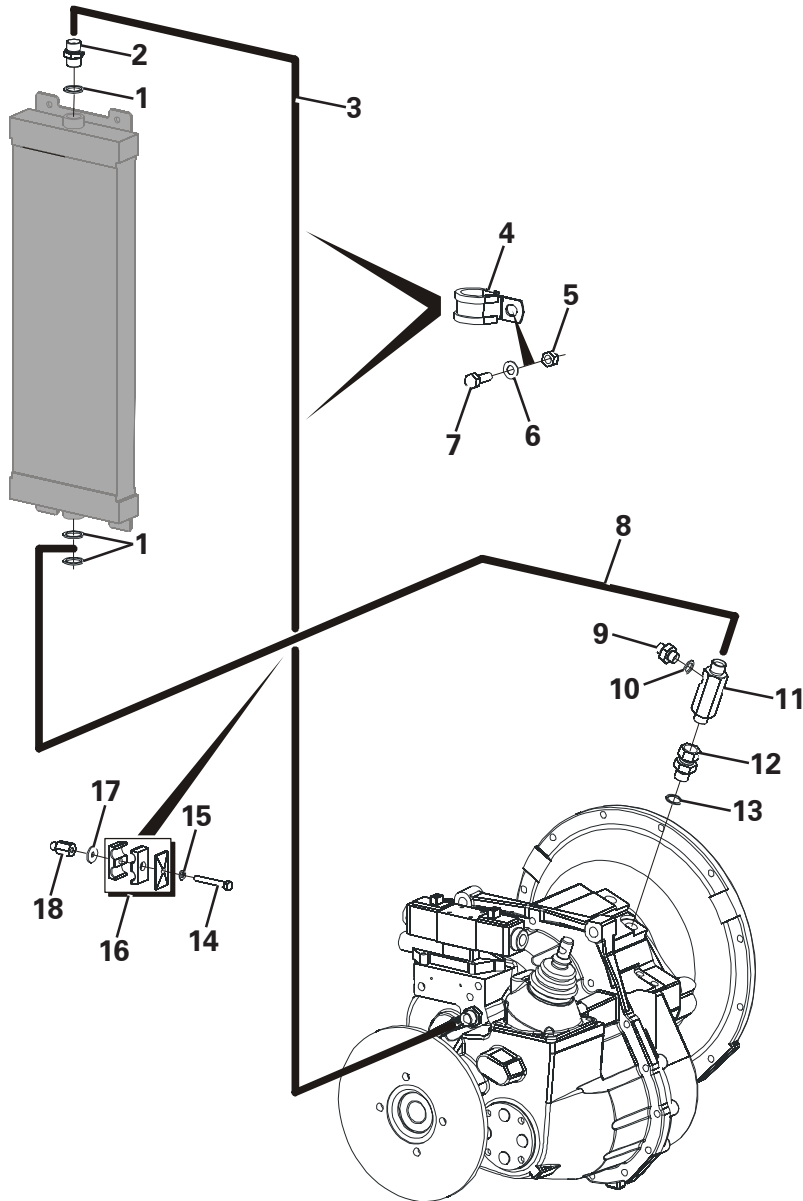
RADIATOR SEALS AND FIXINGS

Item	Part No.	Description	Qty	U/M
1	T102051	SEAL LH & RH	2.0	EA
2	T102052	TOP RADIATOR SEAL	1.0	EA
3	T100535	SEAL BOTTOM	1.0	EA
4	T101843	RADIATOR MTG RH	1.0	EA
5	T101840	RADIATOR MTG LH	1.0	EA
6	T10734	HEAVY DUTY WASHER	14.0	EA
7	T13362	SPRING WASHER	6.0	EA
8	T7466	SET SCREW	6.0	EA
9	T16505	SET SCREW	4.0	EA
10	T13064	PHILIDAS NUT	4.0	EA
11	T102623	RADIATOR SEAL MTG PLATE	1.0	EA



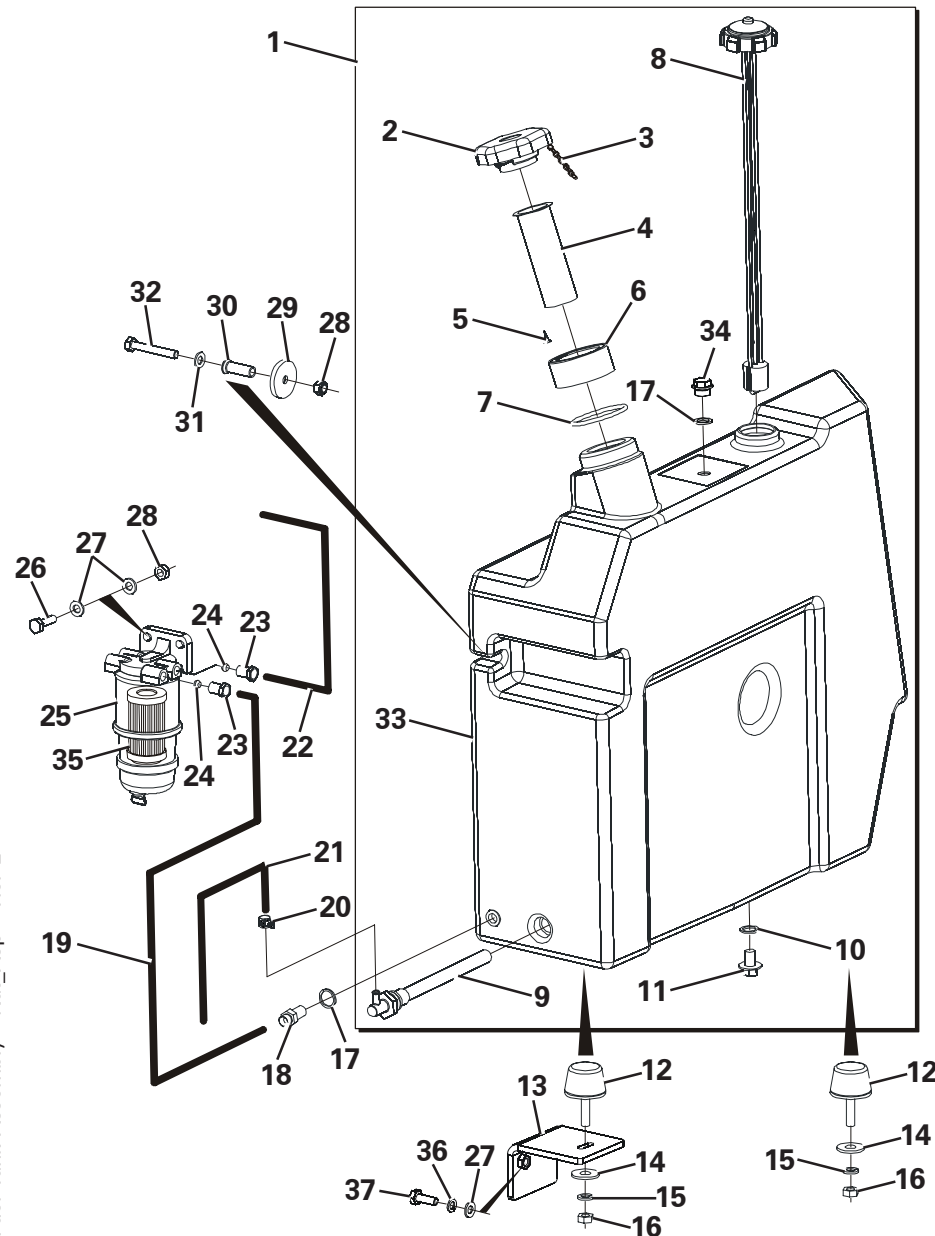
Radiator Seals and Fixings

OIL COOLER HOISING



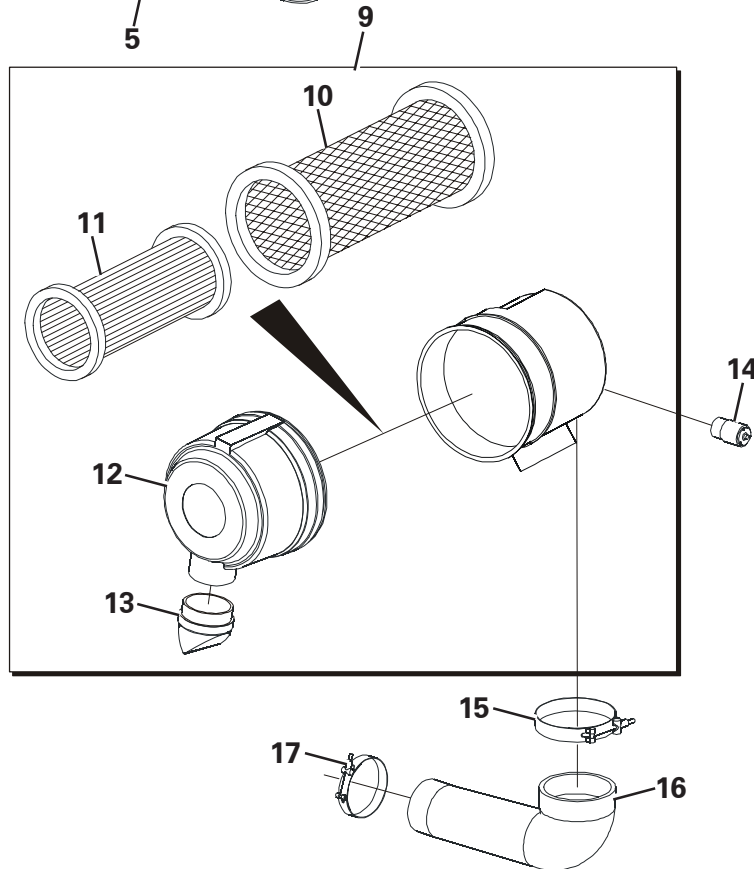
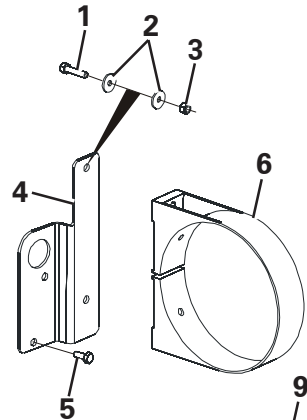
Item	Part No.	Description	Qty	U/M
1*	T5739	DOWTY WASHER	3.0	EA
2*	T102162	ADAPTOR	1.0	EA
3	T102092	HOSE	1.0	EA
4	T9914	P CLIP	2.0	EA
5	T13457	NYLOC NUT	2.0	EA
6	T12973	WASHER	2.0	EA
7	T12694	SET SCREW	2.0	EA
8*	T103404	HOSE	1.0	EA
9	T50531	TRANS. OIL TEMP. SWITCH	1.0	EA
10	T5637	DOWTY WASHER	1.0	EA
11	T100381	TEMPERATURE SENDER FITTING	1.0	EA
12	T13791	ADAPTOR	1.0	EA
13	T5596	DOWTY WASHER	1.0	EA
14	T17157	BOLT	1.0	EA
15	T12972	SPRING WASHER	1.0	EA
16	T101042	PIPE CLAMP	1.0	EA
17	T9345	HEAVY DUTY WASHER	1.0	EA
18	T100378	CLAMP SPACER	1.0	EA

FUEL TANK ASSEMBLY



Item	Part No.	Description	Qty	U/M
1	T102031	FUEL TANK ASSY	1.0	EA
2	T52283	FUEL FILLER CAP	1.0	EA
3	T52437	FILLER CAP CHAIN	1.0	EA
4	T53839	STRAINER	1.0	EA
5	T52590	SCREW	4.0	EA
6	T52543	FILLER CAP COLLAR	1.0	EA
7	T52589	O RING	1.0	EA
8	T52281	LEVEL GAUGE	1.0	EA
9	T53205	FUEL RETURN ELBOW	1.0	EA
10	T52588	FIBRE WASHER	1.0	EA
11	T52282	DRAIN PLUG	1.0	EA
12	T100214	RUBBER BUFFER	2.0	EA
13	T102699	TANK SUPPORT BRACKET	1.0	EA
14	T9345	HEAVY DUTY WASHER	2.0	EA
15	T12972	SPRING WASHER	2.0	EA
16	T9775	NUT	2.0	EA
17*	T10940	DOWTY WASHER	2.0	EA
18*	T12118	ADAPTOR	1.0	EA
19	T102062	FUEL HOSE	1.0	EA
20	T100421	SPRING BAND CLAMP	1.0	EA
21	T102064	FUEL HOSE	1.0	EA
22	T102063	FUEL HOSE	1.0	EA
23	T13827	TUBE NUT	2.0	EA
24	T14692	TUBE OLIVE	2.0	EA
25	T53414	FUEL/WATER SEPARATOR	1.0	EA
26	T16505	SET SCREW	2.0	EA
27	T15819	WASHER PLAIN	6.0	EA
28	T13064	PHILIDAS NUT	4.0	EA
29	T100323	RUBBER BACKED WASHER	2.0	EA
30	T100372	TANK SPACER	2.0	EA
31	T10734	HEAVY DUTY WASHER	2.0	EA
32	T17963	BOLT	2.0	EA
33	T52280	FUEL TANK	1.0	EA
34*	T7262	BLANKING PLUG	1.0	EA
35	T53965	WATER SEPARATOR FILTER	1.0	EA
36	T13362	SPRING WASHER	2.0	EA
37	T20618	SET SCREW	2.0	EA

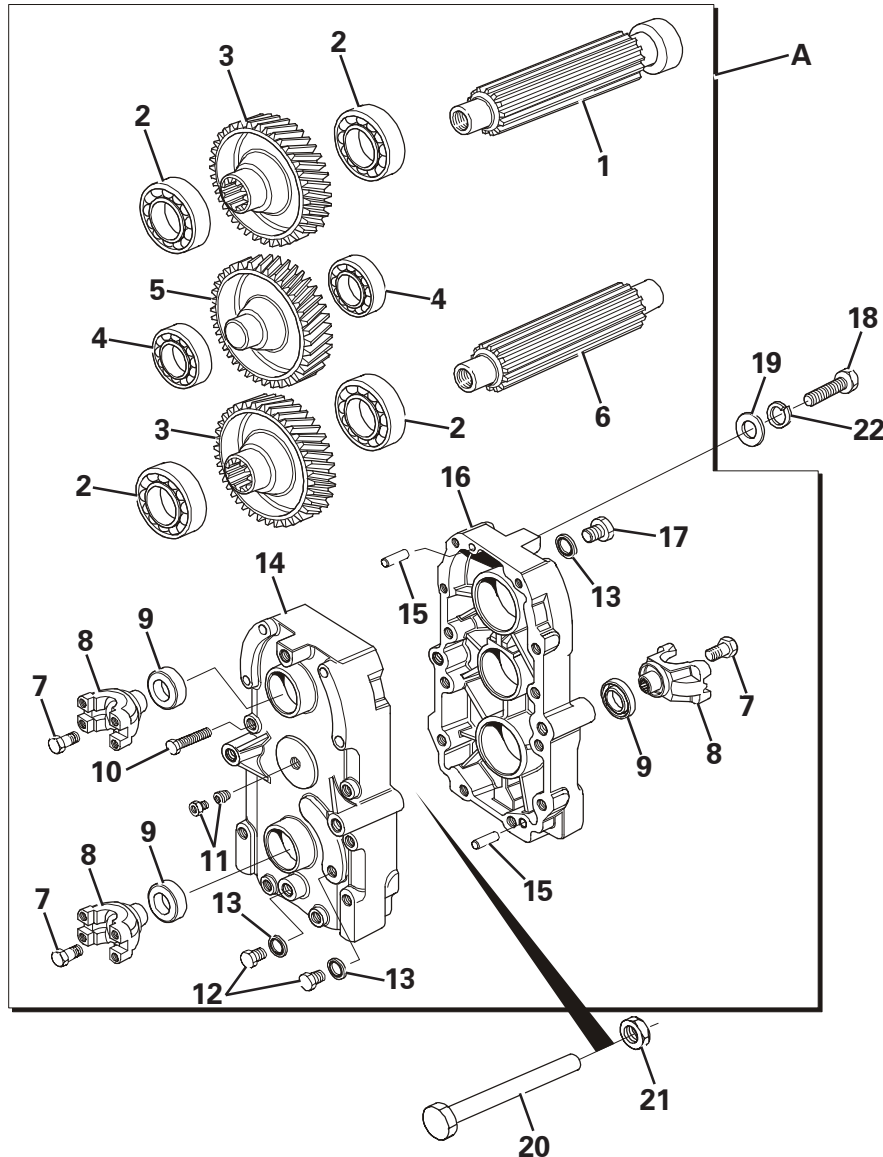
Fuel Tank Assembly - Nat_Asp - Tier 2



AIR CLEANER ASSEMBLY - TURBO

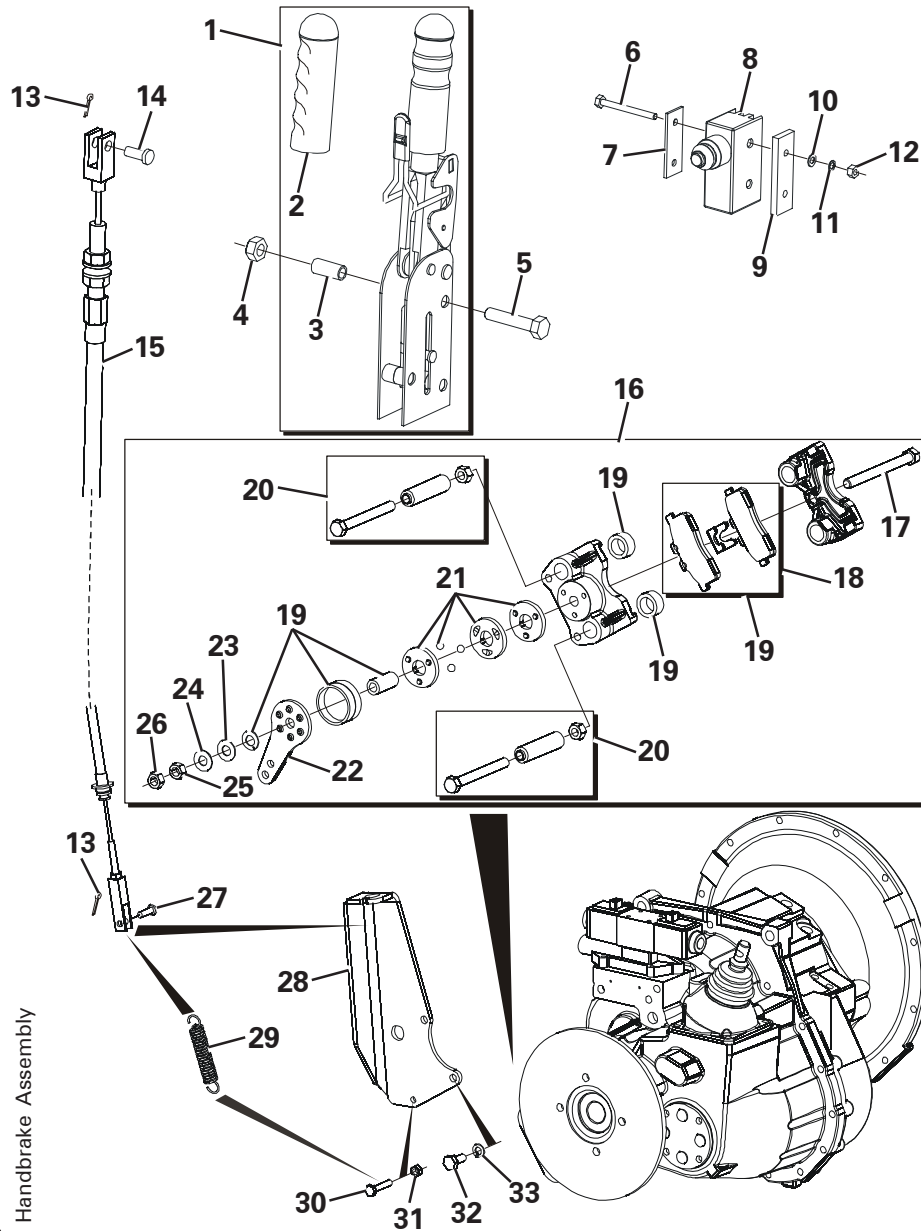
Item	Part No.	Description	Qty	U/M
1	T14277	BOLT	2.0	EA
2	T9345	HEAVY DUTY WASHER	4.0	EA
3	T13457	NYLOC NUT	2.0	EA
4	T101898	AIR CLEANER MTG BRACKET	1.0	EA
5	T7465	SET SCREW	2.0	EA
6	T100008	BRACKET AIR CLEANER MTG	1.0	EA
7*	DELETED			
8*	DELETED			
9	T100007	AIR CLEANER	1.0	EA
10	T52556	OUTER AIR ELEMENT	1.0	EA
11	T52557	INNER AIR ELEMENT	1.0	EA
12	T52558	DUST BOWL	1.0	EA
13	T52559	VAC VALVE	1.0	EA
14	T102183	RESTRICTION INDICATOR	1.0	EA
15	T52554	T BOLT CLAMP	1.0	EA
16	T102023	MOULDED RUBBER ELBOW	1.0	EA
17	T102182	T BOLT CLAMP	1.0	EA

TRANSFER BOX ASSEMBLY



Item	Part No.	Description	Qty	U/M
A	T17483	TRANSFER CASE ASSEMBLY	1.0	EA
1	T52443	INPUT SHAFT	1.0	EA
2	T50471	BALL BEARING	4.0	EA
3	T50470	GEAR	2.0	EA
4	T50526	BEARING TAPER ROLLER	2.0	EA
5	T50527	IDLER GEAR	1.0	EA
6	T52442	OUTPUT SHAFT	1.0	EA
7	T52168	BOLT	3.0	EA
8	T50399	YOKE FLANGE COUPLING	3.0	EA
9	T50398	TRIPLE LIP SEAL	3.0	EA
10	T52092	BOLT HEX.HEAD	12.0	EA
11	T50343	PLUG	1.0	EA
12	T1948	PLUG	2.0	EA
13	T2613	SEAL	3.0	EA
14	T51940	CASE (FRONT)	1.0	EA
15	T50339	DOWEL	2.0	EA
16	T51941	CASE (REAR)	1.0	EA
17	T50473	PLUG - BREATHER	1.0	EA
18	T102360	BOLT	1.0	EA
19	T100867	PLAIN WASHER	1.0	EA
20	T17488	BOLT	2.0	EA
21	T14910	PHILIDAS NUT	2.0	EA
22	T100387	SPRING WASHER	1.0	EA

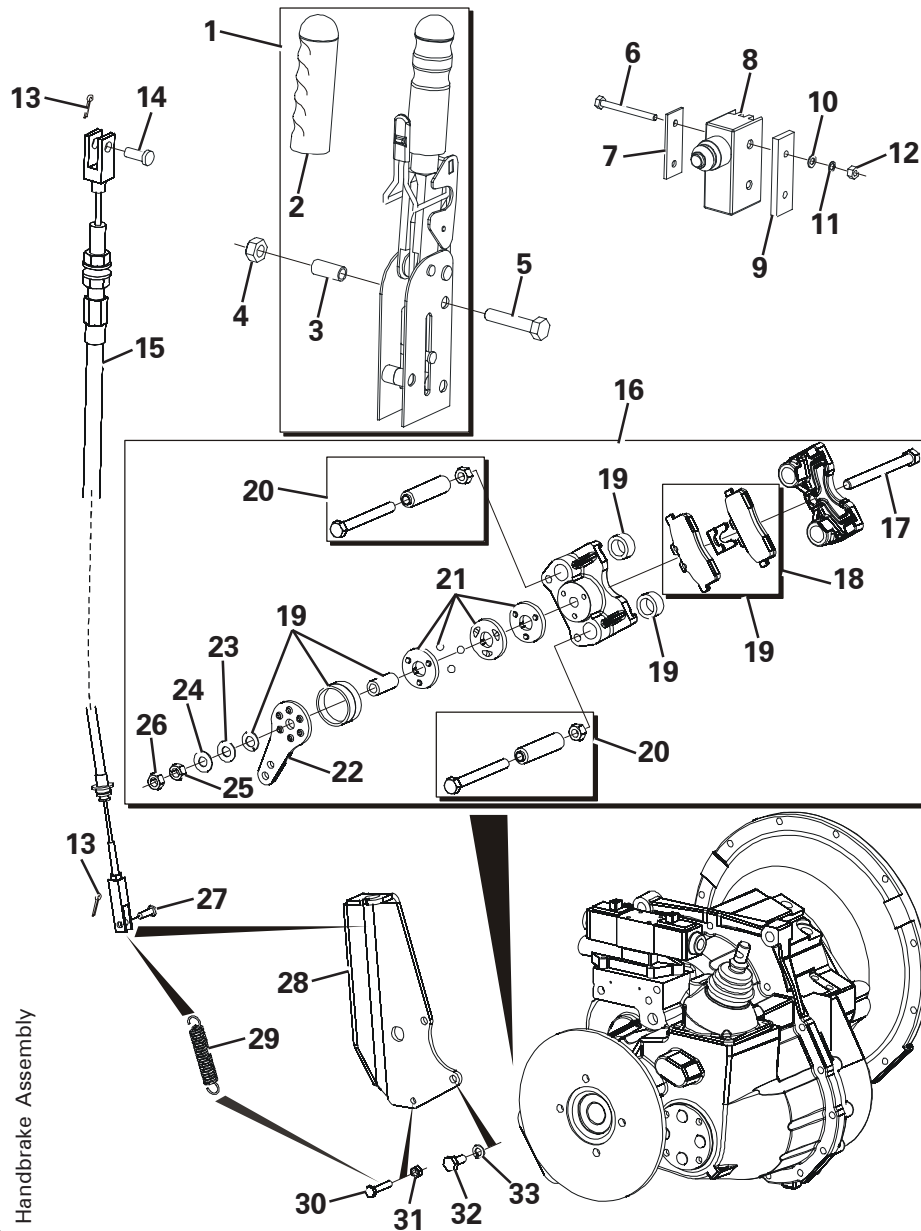
HANDBRAKE ASSEMBLY



Item	Part No.	Description	Qty	U/M
1	T100893	OVERCENTRE HANDBRAKE	1.0	EA
2	T52947	GRIP	1.0	EA
3	T10869	SPACER	2.0	EA
4	T13064	PHILIDAS NUT	2.0	EA
5	T16501	BOLT	2.0	EA
6	T13321	SET SCREW	2.0	EA
7	T13289	MICRO SWITCH BACKING PLATE	1.0	EA
8	T100912	MICRO SWITCH	1.0	EA
9	T101186	MICRO SWITCH SPACER	1.0	EA
10	T11440	WASHER	2.0	EA
11	T11439	SPRING WASHER	2.0	EA
12	T11447	NUT	2.0	EA
13	T6702	SPLIT PIN	2.0	EA
14	T7044	CLEVIS PIN	1.0	EA
15	T101070	HANDBRAKE CABLE	1.0	EA
16	T102464	HANDBRAKE CALIPER	1.0	EA
17	T53791	ADJUSTMENT BOLT	1.0	EA

Handbrake Assembly

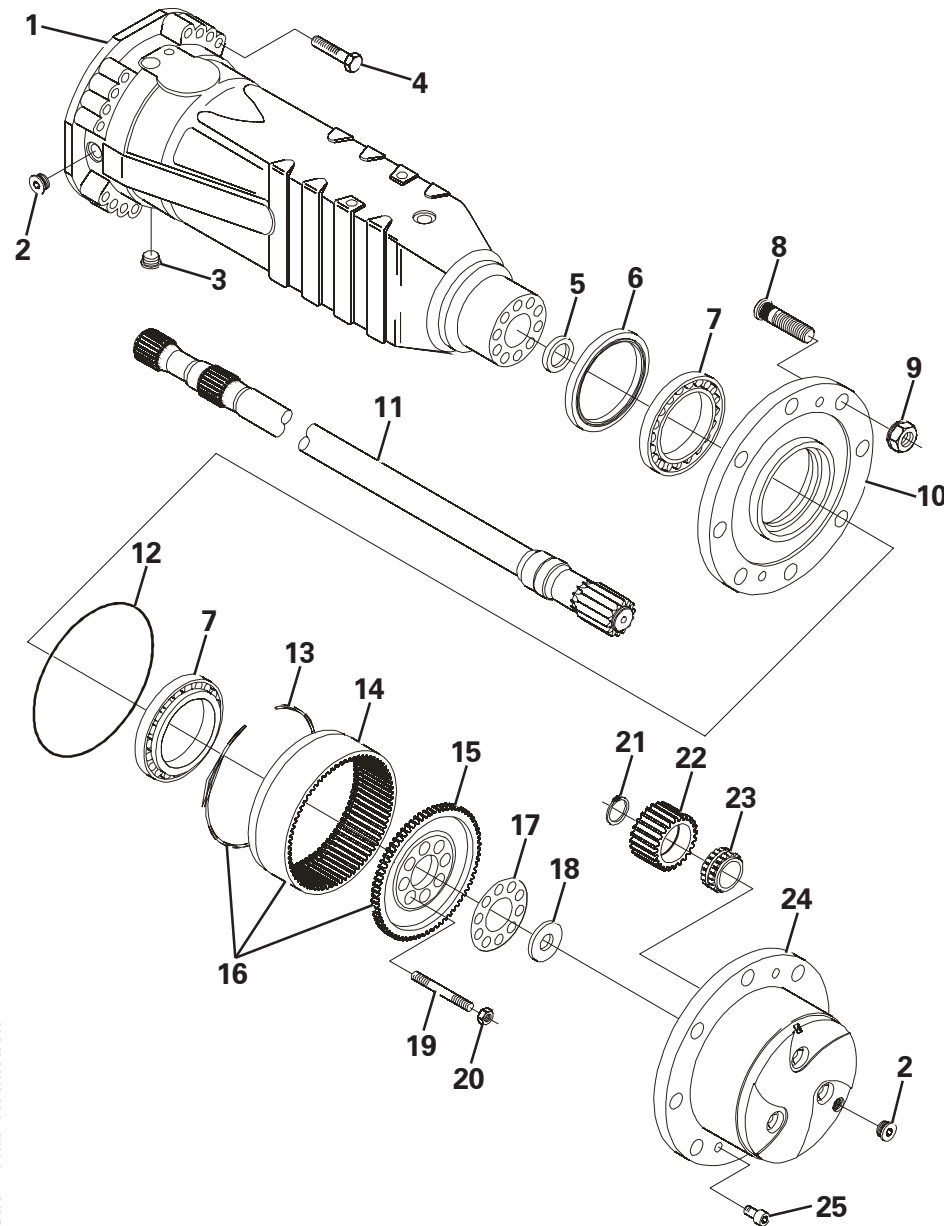
HANDBRAKE ASSEMBLY



Item	Part No.	Description	Qty	U/M
18	T53800	BRAKE PAD ASSEMBLY	1.0	EA
19	T53799	WEAR KIT INC BRAKE PADS	1.0	EA
20	T53790	BOLT NUT & SLEEVE	2.0	EA
21	T53792	CAM, BALL RETAINER & BEARING	2.0	EA
22	T53794	LEVER	1.0	EA
23	T53795	STAINLESS STEEL WASHER	1.0	EA
24	T53796	HARDENED WASHER	1.0	EA
25	T53797	ADJUSTMENT NUT	1.0	EA
26	T53798	JAM ADJUSTMENT NUT	1.0	EA
27	T7499	CLEVIS PIN	1.0	EA
28	T102382	CABLE BRACKET	1.0	EA
29	T20851	TENSION SPRING	1.0	EA
30	T16494	BOLT	1.0	EA
31	T9775	NUT	1.0	EA
32	T7466	SET SCREW	2.0	EA
33	T13362	SPRING WASHER	2.0	EA

Handbrake Assembly

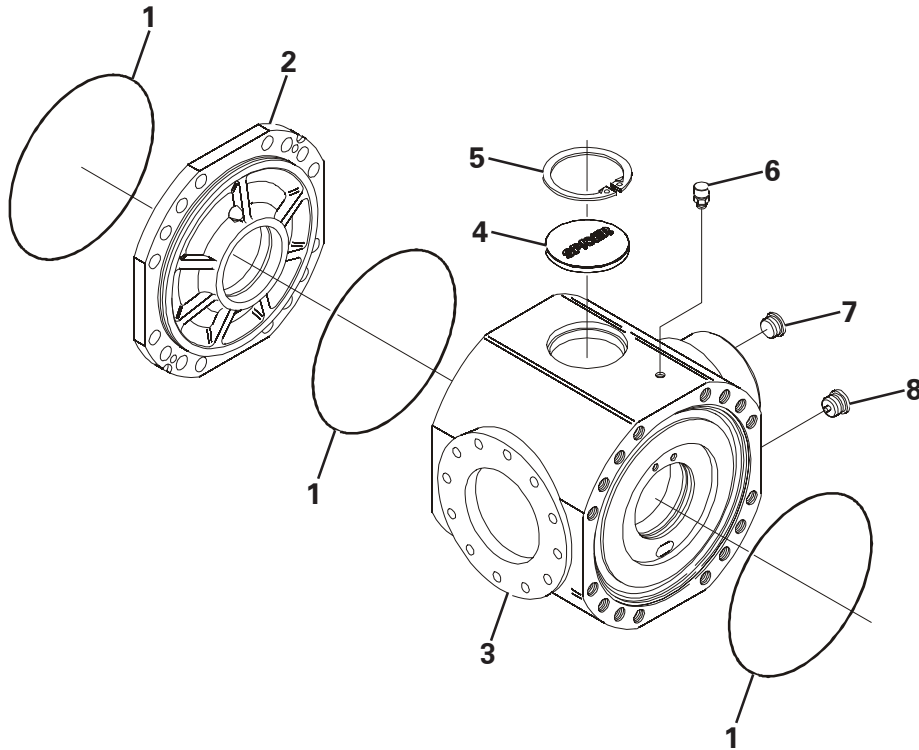
AXLE - HUB REDUCTION

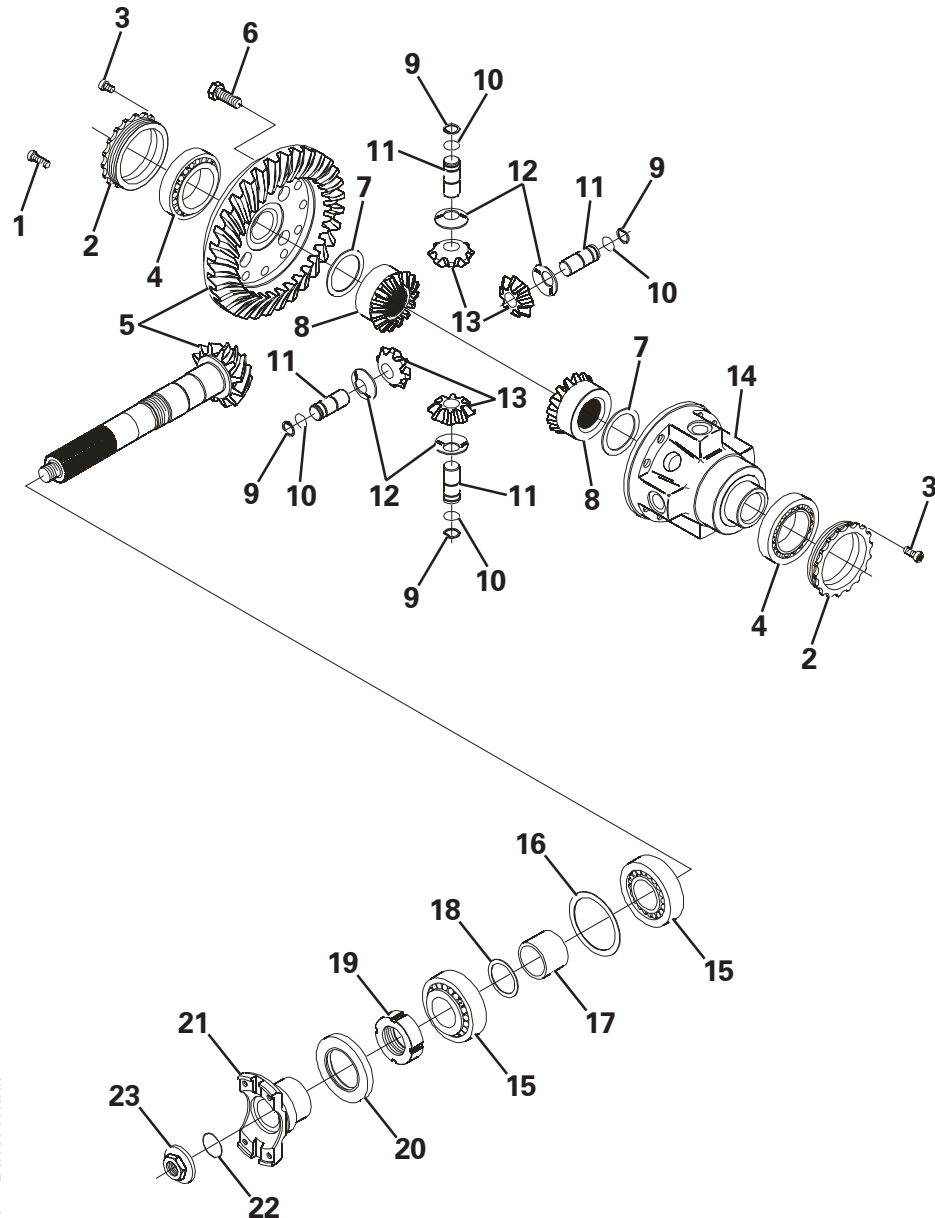


Item	Part No.	Description	Qty	U/M
A	T102435	AXLE	2.0	EA
1	T53685	AXLE CASE	2.0	EA
2	T53663	PLUG	4.0	EA
3	T53664	MAGNET PLUG	2.0	EA
4	T53691	BOLT	32.0	EA
5	T53539	SEAL	2.0	EA
6	T53704	SEAL	2.0	EA
7	T53561	BEARING	4.0	EA
8	T53766	WHEEL STUD	16.0	EA
9	T53567	WHEEL NUT	16.0	EA
10	T53688	WHEEL HUB	2.0	EA
11	T53678	HALF SHAFT	2.0	EA
12	T53528	'O' RING	2.0	EA
13	T53548	CIRCLIP	2.0	EA
14	T53679	RING GEAR	2.0	EA
15	T53681	RING GEAR SUPPORT	2.0	EA
16	T53728	RING GEAR SUPPORT ASSY	2.0	EA
17	T53687	LOCKING PLATE	2.0	EA
18	T53683	FRICTION WASHER	2.0	EA
19	T53686	STUD	16.0	EA
20	T53566	NUT	16.0	EA
21	T53551	CIRCLIP	6.0	EA
22	T53680	PLANET GEAR	6.0	EA
23	T53682	BEARING	6.0	EA
24	T53690	PLANET GEAR CARRIER	2.0	EA
25	T53610	COUNTERSUNK BOLT	4.0	EA

AXLE - CENTRAL HOUSING

Item	Part No.	Description	Qty	U/M
1	T53528	'O' RING	3.0	EA
2	T53660	INTERMEDIATE COVER	1.0	EA
3	T53662	HOUSING	1.0	EA
4	T53709	PLUG	1.0	EA
5	T53543	CIRCLIP	1.0	EA
6	T53661	VENT	1.0	EA
7	T53663	PLUG	1.0	EA
8	T53664	MAGNET PLUG	1.0	EA





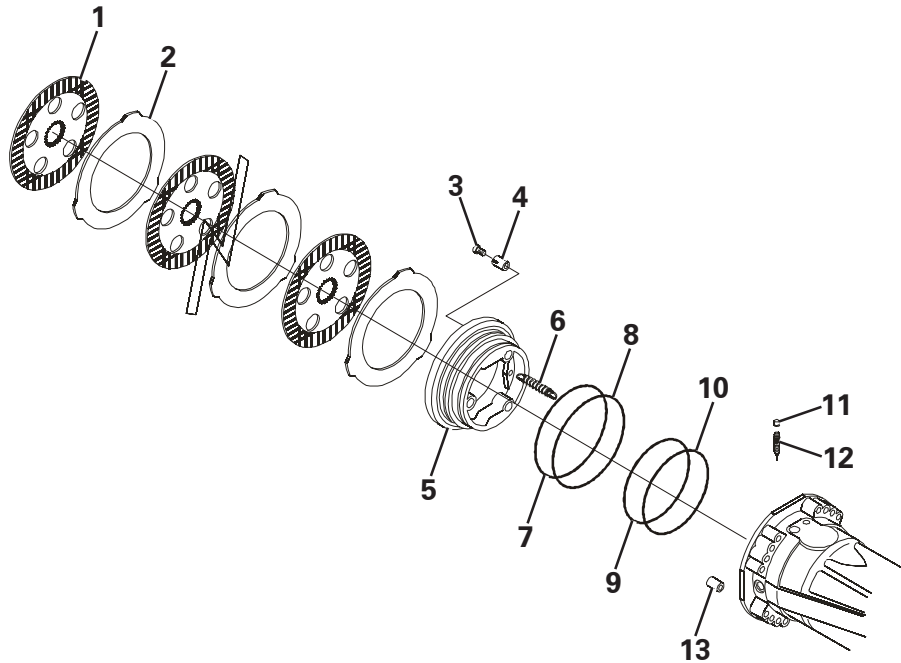
AXLE - DIFFERENTIAL

Item	Part No.	Description	Qty	U/M
1	T53602	CYLINDER BOLT	4.0	EA
2	T53672	RING NUT	2.0	EA
3	T53607	CYLINDER BOLT	2.0	EA
4	T53557	TAPER ROLLER BEARING	2.0	EA
5	T53674	BEVEL GEAR SET	1.0	EA
6	T53617	BOLT	12.0	EA
7	T53669	FRICTION WASHER	2.0	EA
8	T53667	DIFFERENTIAL SIDE GEAR	2.0	EA
9	T53542	CIRCLIP	4.0	EA
10	T53547	CIRCLIP	4.0	EA
11	T53668	PIN	4.0	EA
12	T53670	FRICTION WASHER	4.0	EA
13	T53666	DIFFERENTIAL PINION	4.0	EA
14	T53665	DIFFERENTIAL CARRIER	1.0	EA
15	T53559	TAPER ROLLER BEARING	2.0	EA
16	T53576	SHIM	A/R	EA
	T53577	SHIM	A/R	EA
	T53582	SHIM	A/R	EA
	T53583	SHIM	A/R	EA
17	T53671	SPACER	1.0	EA
18	T53584	SHIM	A/R	EA
	T53585	SHIM	A/R	EA
	T53586	SHIM	A/R	EA
	T53587	SHIM	A/R	EA
19	T53775	RING NUT	1.0	EA
20	T53522	SEAL	1.0	EA
21	T53676	FLANGE	1.0	EA
22	T53536	'O' RING	1.0	EA
23	T53763	NUT	1.0	EA

Axle - Differential

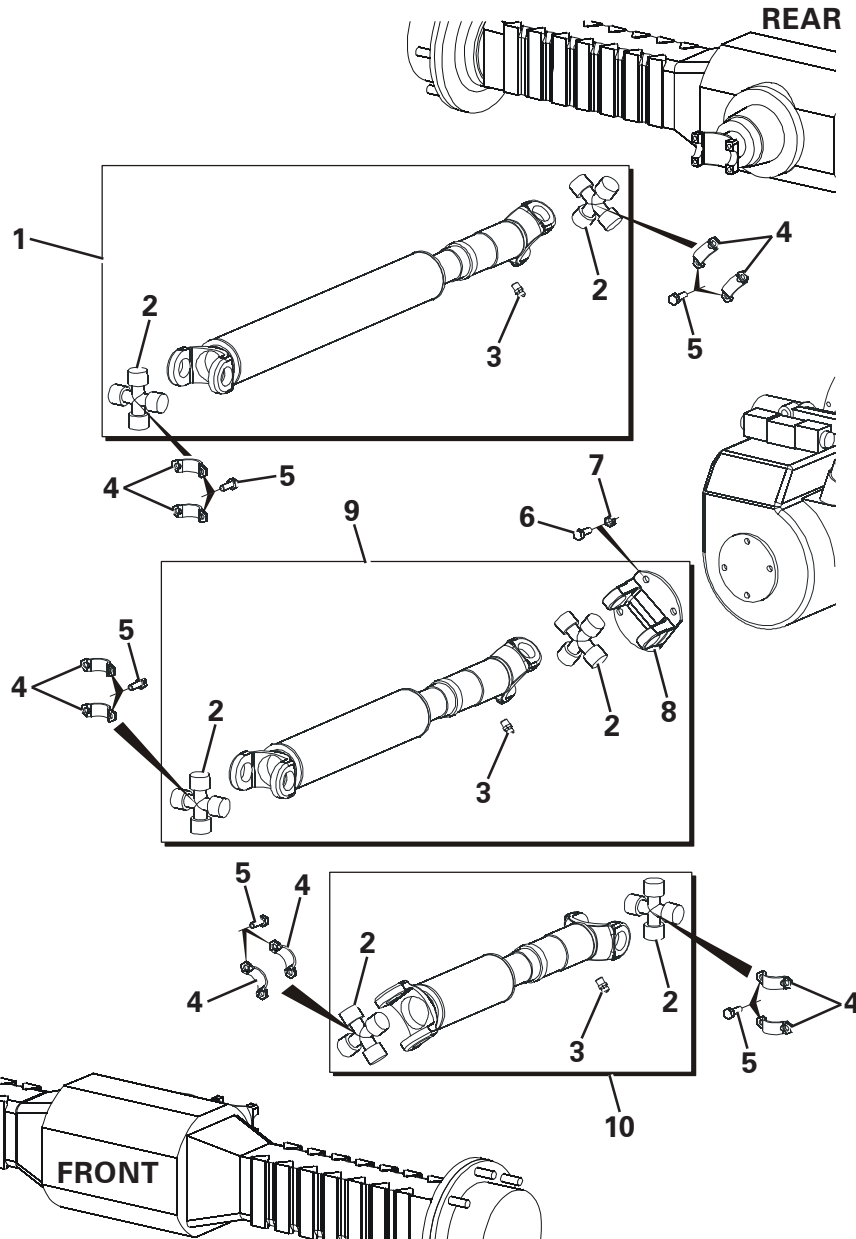
AXLE - BRAKES

Item	Part No.	Description	Qty	U/M
1	T53701	BRAKE DISC	8.0	EA
2	T53693	INTERMEDIATE BRAKE DISC	10.0	EA
3	T53700	ADJUSTING BOLT	6.0	EA
4	T53692	SPRING	6.0	EA
5	T53694	PISTON	2.0	EA
6	T53726	SPRING	6.0	EA
7	T53698	BACK UP RING	2.0	EA
8	T53696	'O' RING	2.0	EA
9	T53695	'O' RING	2.0	EA
10	T53697	BACK UP RING	2.0	EA
11	T53768	PLUG	2.0	EA
12	T53767	BLEEDING BOLT	2.0	EA
13	T53593	DOWEL	2.0	EA



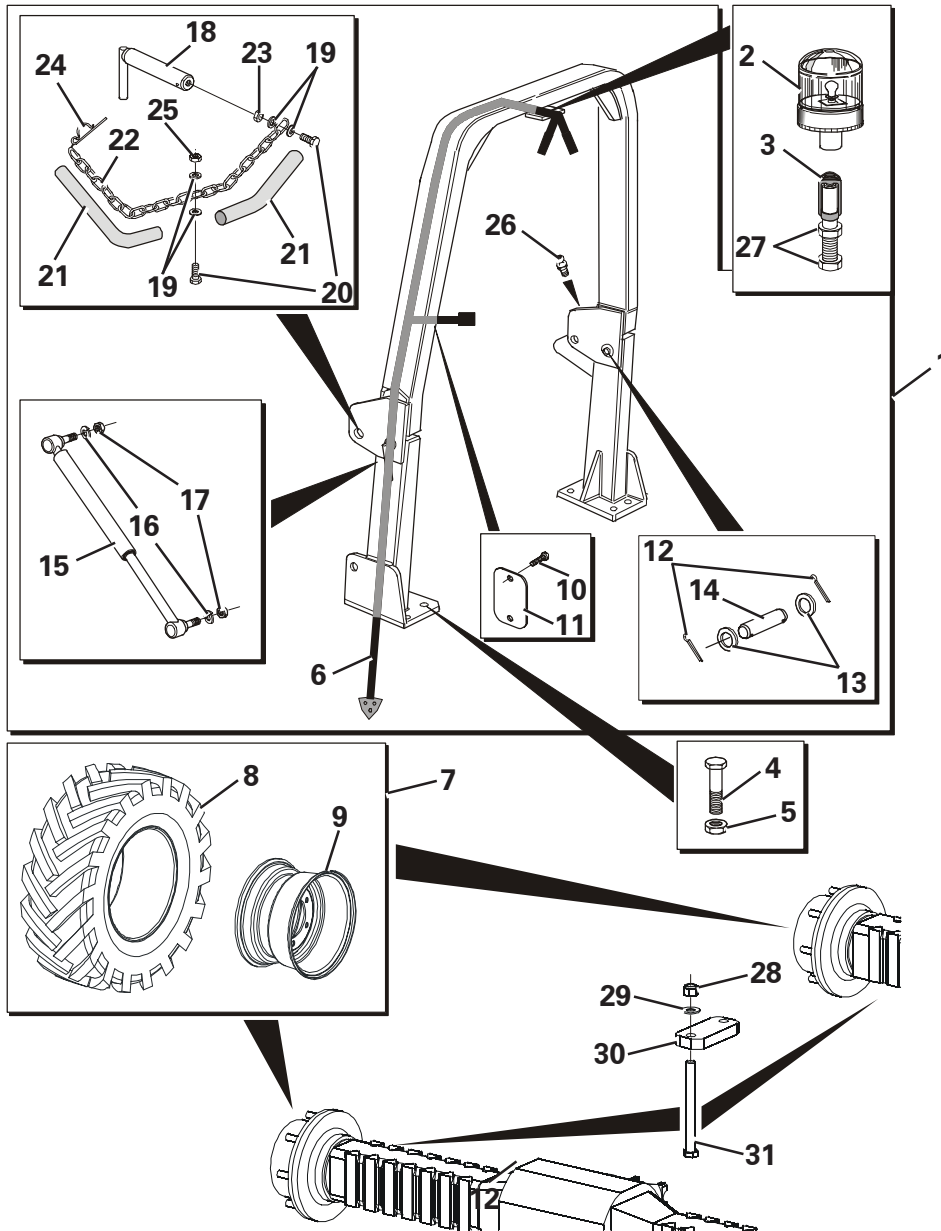
PROPSHAFTS

Item	Part No.	Description	Qty	U/M
1	T100005	PROPSHAFT REAR	1.0	EA
2	T50475	U/J KIT	6.0	EA
3	T13454	GREASE NIPPLE	3.0	EA
4	T14130	JOINT STRAP	10.0	EA
5	T14131	CLAMP BOLT	20.0	EA
6	T11313	PROPSHAFT BOLT	4.0	EA
7	T11345	PHILIDAS NUT	4.0	EA
8	T50476	FLANGE	1.0	EA
9	T100004	PROPSHAFT TOP	1.0	EA
10	T102559	PROPSHAFT FRONT	1.0	EA



Propshaft Assembly

ROPS FRAME & WHEEL ASSEMBLY



Item	Part No.	Description	Qty	U/M
1	T100221	ROPS FRAME (HINGE) ASSY 9T	1.0	EA
2	T100133	ROTATING BEACON	1.0	EA
3	T100134	BEACON STEM	1.0	EA
4	T15571	BOLT	8.0	EA
5	T14910	STOVER NUT	8.0	EA
6	T100051	HARNESS	1.0	EA
7	T102363	WHEEL & TYRE ASSY	4.0	EA
8	T19333	TYRE	1.0	EA
9	T102362	WHEEL RIM	1.0	EA
10	T7474	SELF TAPPER	2.0	EA
11	T100804	COVER PLATE	1.0	EA
12	T6751	SPLIT PIN	4.0	EA
13	T6768	WASHER	4.0	EA
14	T19523	HINGE PIN	2.0	EA
15	T100225	GAS SPRING	1.0	EA
16	T13362	SPRING WASHER	2.0	EA
17	T13064	NUT	2.0	EA
18	T19522	LOCATING PIN	2.0	EA
19	T13911	FLAT WASHER	8.0	EA
20	T16476	SET BOLT	4.0	EA
21	T19465	CHAIN SLEEVE	4.0	EA
22	T18186	PIN RETAINING CHAIN	2.0	EA
23	T10431	NUT	2.0	EA
24	T10012	LINCH PIN	2.0	EA
25	T16481	NYLOC NUT	2.0	EA
26	T16586	GREASE NIPPLE	2.0	EA
27	T101154	LOCKNUT	2.0	EA
28	T20320	PHILIDAS NUT	8.0	EA
29	T20321	WASHER	8.0	EA
30	T102364	CLAMP PLATE	4.0	EA
31	T102436	BOLT M24x260	8.0	EA

ROPS Frame & Wheel Assembly - 9 Tonne

OPTIONAL EXTRAS

Part No.	Description	Qty	U/M
KIT 241	ACCESSORIES - ROTATING BEACON KIT	1.0	EA
T100307	ROTATING FLEXIBLE BEACON	1.0	EA
T100308	XENON BEACON	1.0	EA
KIT 232	ACCESSORIES - POWERSHUTTLE REVERSE ALARM	1.0	EA
KIT 242	ACCESSORIES - ELECTRONIC SHUTDOWN	1.0	EA
T100135	WORK LIGHT	1.0	EA
T18236	LOW BRAKE FLUID WARNING CAP	1.0	EA
MACH1164X	ACCESSORIES - LIGHT KIT FORWARD TIP (UK)	1.0	EA
MACH1165X	ACCESSORIES - LIGHT KIT FORWARD TIP (CONT)	1.0	EA
MACH1172X	ACCESSORIES - TIPPING VALVE LOCK	1.0	EA
KIT 240	ACCESSORIES - ADJUSTABLE TOWING BRACKET	1.0	EA
KIT 85	ACCESSORIES - ROAD EQUIPMENT KIT	1.0	EA

MODIFIED AND ADDITIONAL PARTS

Old Part No.	Qty	Description	Page	Item	Prefix	New Part No.
T102515	1.0	BRAKE PIPE (REAR)	12	17	-	T102472
T102471	1.0	BRAKE PIPE (FRONT)	12	22	-	T102698
T13064	2.0	PHILIDAS NUT	20	22	-	ADDED
T102181	1.0	TANK GUARD	20	31	-	T101023
ADDED	2.0	SET SCREW	20	36	-	T16505
ADDED	4.0	WASHER	20	37	-	T15819
T100088	1.0	PIVOT PIN	23	9	-	DELETED
ADDED	1.0	PIVOT PIN	23	16	-	T100089
T100088	1.0	PIVOT PIN	24	9	-	DELETED
ADDED	1.0	PIVOT PIN	24	15	-	T100089
T102549	1.0	DASHBOARD ASSY	17	3	2	T102851
T102491	1.0	DASH PANEL	17	6	2	T102847
T101131	2.0	CIRCUIT BREAKER 18AMP	17	7	2	T102845
T101133	2.0	CIRCUIT BREAKER SPLASHGUARD	17	8	2	T102846
T100024	1.0	SEAT-MSG20 C/W BELTS	4	1	3	T102628
T51918	1.0	UPHOLSTERED BACK REST	4	2	3	T53830
T52524	1.0	SEAT CUSHION VINYL	4	3	3	T53831
ADDED	1.0	BOOT	4	4	3	T53845
ADDED	1.0	DAMPER KIT	4	5	3	T53832
T52536	1.0	SEAT BELT	4	6	3	T53840
T51929	1.0	SLIDE RAIL KIT	4	7	3	T53829
ADDED	1.0	TRANSFER ROD	4	8	3	T53886
ADDED	1.0	PLAIN WASHER	4	9	3	T12973
ADDED	1.0	NYLOC NUT	4	10	3	T13457
T51919	1.0	PLATE	4	-	3	DELETED
T51920	1.0	SCREW SET	4	-	3	DELETED
T51928	1.0	FRAME KIT	4	-	3	DELETED
T51936	1.0	BLANKING COVERS	4	-	3	DELETED
T52525	1.0	SEAT PAN	4	-	3	DELETED
T52530	1.0	OUTER SWING ARM	4	-	3	DELETED
T51927	1.0	SCREW & WASHER SET	4	-	3	DELETED
T52529	1.0	INNER SWING ARM	4	-	3	DELETED
T51930	1.0	SLIDE RAIL	4	-	3	DELETED
T52531	1.0	SHOCK ABSORBER	4	-	3	DELETED

MODIFIED AND ADDITIONAL PARTS

Old Part No.	Qty	Description	Page	Item	Prefix	New Part No.
T52526	1.0	REPAIR KIT	4	-	3	DELETED
T52527	1.0	SUSPENSION COVER	4	-	3	DELETED
T51921	1.0	LEVER	4	-	3	DELETED
T12971	2.0	BUTTON HEAD SCREW	4	-	3	DELETED
T9345	4.0	WASHER	4	-	3	DELETED
T12972	2.0	SPRING WASHER	4	-	3	DELETED
T12832	2.0	DOME HEAD SCREW	4	-	3	DELETED
T101837	1.0	ENGINE COVER	6	16	3	T102796
T9775	4.0	NUT	6	19	3	DELETED
T102055	1.0	BATTERY NEGATIVE CABLE	15	1	4	T102897
T102056	1.0	ISOLATOR CABLE	15	3	4	T102898
T20846	1.0	BATTERY ISOLATOR SWITCH	15	9	4	T102899
T102558	1.0	TIPPING RAM	23	1	4	T102879
T53804	1.0	SEAL KIT	23	2	4	T53452
T53805	1.0	GLAND	23	3	4	T53453
T53806	1.0	PISTON HEAD	23	4	4	T53454
T53803	1.0	ROD ASSEMBLY	23	6	4	T102879
T100089	1.0	PIVOT PIN	23	16	4	T102765
T102558	1.0	TIPPING RAM	24	1	4	T102879
T53804	1.0	SEAL KIT	24	2	4	T53452
T53805	1.0	GLAND	24	3	4	T53453
T53806	1.0	PISTON HEAD	24	4	4	T53454
T53803	1.0	ROD ASSEMBLY	24	6	4	T102879
T100089	1.0	PIVOT PIN	24	15	4	T102765
ADDED	1.0	CHASSIS EARTH CABLE	15	30	-	T100655
T102174	1.0	EXHAUST HEAT SHIELD	34	8	-	DELETED
T5695	1.0	FIBRE WASHER	38	17	-	T10940
T5694	1.0	FUEL TAP	38	18	-	T12118
ADDED	1.0	DOWTY WASHER	38	17	-	T10940
ADDED	1.0	BLANKING PLUG	38	34	-	T7262
T102897	1.0	BATTERY NEGATIVE CABLE	15	1	5	T102980
T102054	1.0	BATTERY POSITIVE CABLE	15	2	5	T102982
T102898	1.0	ISOLATOR CABLE	15	3	5	T102981

MODIFIED AND ADDITIONAL PARTS

Old Part No.	Qty	Description	Page	Item	Prefix	New Part No.
T102899	1.0	BATTERY ISOLATOR SWITCH	15	9	5	T102979
T9775	4.0	NUT	15	10	5	DELETED
T12973	4.0	SPRING WASHER	15	11	5	T13362
T12973	2.0	WASHER	15	12	5	DELETED
T52600	1.0	KEY	15	13	5	T53849
ADDED	4.0	NUT	15	31	5	T12509
ADDED	2.0	WASHER	15	32	5	T15819
T53369	1.0	STARTER MOTOR	33	14	5	T53890
T100690	1.0	NUT	18	4	-	T53853
T52517	1.0	END CAP	18	9	-	DELETED
T7466	4.0	SET SCREW	18	11	-	T20618
ADDED	1.0	SPRING WASHER	18	24	-	T100387
T14837	4.0	SPRING WASHER	35	24	-	ADDED
T10917	4.0	SET SCREW	35	25	-	ADDED
ADDED	1.0	BLANKING PLATE	35	26	-	T103202
ADDED	4.0	HEAVY DUTY WASHER	35	27	-	T15830
T102578	1.0	REAR COVER	1	1	6	T103406
T7466	2.0	SET SCREW	1	5	6	DELETED
T13362	2.0	SPRING WASHER	1	6	6	DELETED
T10734	2.0	HEAVY DUTY WASHER	1	7	6	DELETED
T101839	1.0	AIR DUCT	1	8	6	DELETED
T102172	1.0	AIR DUCT MTG ANGLE	1	9	6	DELETED
T9345	5.0	HEAVY DUTY WASHER	1	10	6	DELETED
T12972	3.0	SPRING WASHER	1	11	6	DELETED
T12694	1.0	SET SCREW	1	12	6	DELETED
T9775	2.0	NUT	1	13	6	DELETED
T12971	2.0	SOCKET DOME HEAD SCREW	1	14	6	DELETED
T10895	2.0	JUBILEE CLIP	39	7	6	DELETED
T102186	1.0	AIR INLET HOSE	39	8	6	DELETED
T5739	1.0	DOWTY WASHER	37	1	-	ADDED
T102162	1.0	ADAPTOR	37	2	-	DELETED
T102091	1.0	HOSE	37	8	-	T103404
T13457	1.0	NYLOC NUT	21	2	-	ADDED
T12973	1.0	WASHER	21	3	-	ADDED

MODIFIED AND ADDITIONAL PARTS

Old Part No.	Qty	Description	Page	Item	Prefix	New Part No.
T20412	1.0	PIPE CLAMP	21	4	-	ADDED
T102422	1.0	BOLT	21	5	-	ADDED
T101901	1.0	CLAMP COVER	21	33	-	ADDED

MODIFIED AND ADDITIONAL PARTS

Old Part No.	Qty	Description	Page	Item	Prefix	New Part No.
--------------	-----	-------------	------	------	--------	--------------

Service and Warranty

Thwaites give a warranty which, subject to certain conditions, gives an assurance as to the quality of their product.

The Thwaites warranty states:-

In the manufacture of Thwaites machines we endeavour to ensure that only the best workmanship and materials are used. Consequently, provided:-

1. The machine has been properly used in accordance with our recommendations and,
2. That no alterations have been made to the machine without prior written approval and,
3. That the machine has been maintained, serviced and lubricated in accordance with our recommendations and,
4. That Thwaites Warranty Certificate and/or New Machine Delivery Report has been completed and received by Thwaites within one month of delivery to the user.
5. That Thwaites receive a correctly completed Warranty Claim form within thirty days of the failure occurring.
6. **UK**
That the alleged defective parts are returned to Thwaites within 6 weeks of date of failure.
7. **All other territories**
That unless otherwise instructed the alleged defective parts are to be stored for inspection for a 6 month period from date of failure.

We will examine the alleged defective part and if we are reasonably satisfied that any defect is solely due to bad workmanship or materials, we will at our cost and at our option either repair any defective part or supply a replacement part in full discharge of all obligations upon us.

This warranty does not, however, extend to reconditioned or second-hand machines. For the avoidance of doubt, we will not entertain any other claims of a direct or consequential nature of whatsoever description and our responsibility is limited to the above.

The above warranty shall in no way detract from your statutory rights

Warranty

It is important to use only genuine Thwaites Limited spare parts and to adhere strictly to the conditions of operation and maintenance laid down by Thwaites Limited.

Your warranty may be invalidated if you do not comply with the above recommendations.